

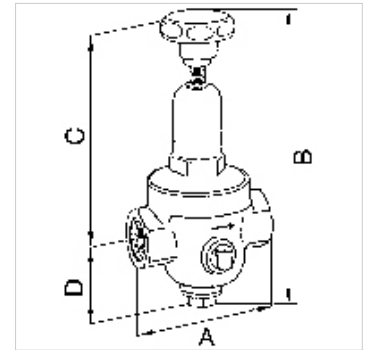
# K-DRG DRV 200 STANDARD

## DRV 200 pressure regulators, standard type

**HANSA FLEX**

### Свойства

входящо налягане	Max. 25 bar (Series 200 and 300 Series), Max. 40 bar (400 Series)
Температурен диапазон	Max. 75 °C
съотношение на намаляване	Max. 10:1 (200 Series), Max. 20:1 (300 Series), Max. 6:1 (400 Series)
уплътняващ материал	NBR
пружинен калпак	Pressed brass up to DN 25, Grey cast iron from DN 32
корпус	Red brass 2.1096.01



### Указание

Други данни при запитване.

### Описание

Diaphragm pressure regulators with non-self-relieving design and non-pressure-reduced single-seated valve. Very precise adjustment. Good response characteristic because of only a few moving parts which hence minimal friction. Ideal for compressed air, nitrogen and other neutral, non-flammable gases, but only suitable for liquids with comparatively low flow rates.

### Указания за поръчка

други размери при запитване

### Допълнителна информация

други изпълнения при запитване

### Артикул

Обозначение	Резба	диапазон на регулиране	протичане kvs стойност (m <sup>3</sup> /h)	A (mm)	B	C (mm)	D (mm)
K- 07 25 04 86	G 1/4	1.5 - 8 bar	0,5	70,0	167,0 mm	120,0	47,0
K- 07 25 04 87	G 3/8	1.5 - 8 bar	0,6	70,0	168,0 mm	121,0	47,0
K- 07 25 04 88	G 1/2	1.5 - 8 bar	1,2	85,0	188,5 mm	142,0	46,5
K- 07 25 04 89	G 3/4	1.5 - 8 bar	1,3	85,0	189,5 mm	143,0	46,5
K- 07 25 04 90	G 1	1.5 - 8 bar	1,6	95,0	242,0 mm	186,0	56,0
K- 07 25 04 91	G 1 1/4	1.5 - 8 bar	4,2	104,0	323,0 mm	262,0	61,0
K- 07 25 04 92	G 1 1/2	1.5 - 8 bar	4,5	108,0	323,0 mm	262,0	61,0
K- 07 25 04 93	G 2	1.5 - 8 bar	7,2	146,5	376,0 mm	306,0	70,0

### Резервни части

K-VERSCHLEI-SATZ Set of wearing parts