

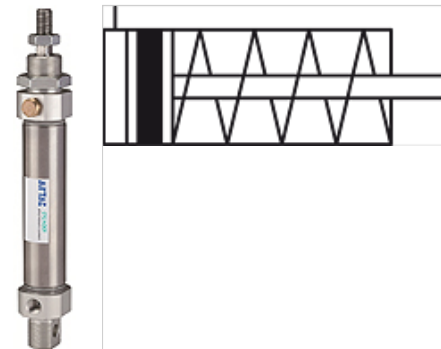
K-RUNDZYLINDER EINF DL O D MSI

Round cylinders, single-acting (pressureless in the retracted position), with magnet, non-cushioned, »MSI« Series

HANSA FLEX

Свойства

Течности	Filtered, unlubricated or lubricated compressed air. If lubrication is used, it must be continuous.
работно налягане	1 - 10 bar (double-acting); 2 - 10 bar (single-acting)
Температурен диапазон	-20 °C to +70 °C
бутална щанга	Stainless steel 1.4301
Изпълнение	Type "CA" = ground cover with threaded pin - swivel design Type "CM" = ground cover with threaded pin round - swivel design
бутало	Stainless steel 1.4305 (8 to 12 mm); Alu (16 to 40 mm)
уплътняващ материал	NBR
тръба на цилиндър	Stainless steel 1.4301



Указание

Други данни при запитване.

Описание

Series "MSI" single-acting, pressureless retraction, Ø 8 - 40

Артикул

Обозначение	Ø бутало	Такт (mm)	Изпълнение	бутална щанга (mm)	външна резба бутална щанга
K- 07 15 19 46	8 mm	10	»CA« type	4	M 4 x 0.7
K- 07 15 19 47	8 mm	15	»CA« type	4	M 4 x 0.7
K- 07 15 19 48	8 mm	20	»CA« type	4	M 4 x 0.7
K- 07 15 19 49	8 mm	25	»CA« type	4	M 4 x 0.7
K- 07 15 19 50	8 mm	30	»CA« type	4	M 4 x 0.7
K- 07 15 19 51	8 mm	40	»CA« type	4	M 4 x 0.7
K- 07 15 19 52	8 mm	50	»CA« type	4	M 4 x 0.7
K- 07 15 19 53	10 mm	10	»CA« type	4	M 4 x 0.7
K- 07 15 19 54	10 mm	15	»CA« type	4	M 4 x 0.7
K- 07 15 19 55	10 mm	20	»CA« type	4	M 4 x 0.7
K- 07 15 19 56	10 mm	25	»CA« type	4	M 4 x 0.7
K- 07 15 19 57	10 mm	30	»CA« type	4	M 4 x 0.7
K- 07 15 19 58	10 mm	40	»CA« type	4	M 4 x 0.7
K- 07 15 19 59	10 mm	50	»CA« type	4	M 4 x 0.7
K- 07 15 19 60	12 mm	10	»CA« type	6	M 6 x 1
K- 07 15 19 61	12 mm	15	»CA« type	6	M 6 x 1
K- 07 15 19 62	12 mm	20	»CA« type	6	M 6 x 1
K- 07 15 19 63	12 mm	25	»CA« type	6	M 6 x 1
K- 07 15 19 64	12 mm	30	»CA« type	6	M 6 x 1
K- 07 15 19 65	12 mm	40	»CA« type	6	M 6 x 1
K- 07 15 19 66	12 mm	50	»CA« type	6	M 6 x 1
K- 07 15 19 67	16 mm	10	»CA« type	6	M 6 x 1
K- 07 15 19 68	16 mm	15	»CA« type	6	M 6 x 1
K- 07 15 19 69	16 mm	20	»CA« type	6	M 6 x 1
K- 07 15 19 70	16 mm	25	»CA« type	6	M 6 x 1
K- 07 15 19 71	16 mm	30	»CA« type	6	M 6 x 1
K- 07 15 19 72	16 mm	40	»CA« type	6	M 6 x 1
K- 07 15 19 73	16 mm	50	»CA« type	6	M 6 x 1
K- 07 15 19 74	16 mm	60	»CA« type	6	M 6 x 1
K- 07 15 19 75	16 mm	75	»CA« type	6	M 6 x 1
K- 07 15 19 76	16 mm	80	»CA« type	6	M 6 x 1
K- 07 15 19 77	16 mm	100	»CA« type	6	M 6 x 1
K- 07 15 19 78	20 mm	10	»CA« type	8	M 8 x 1.25
K- 07 15 19 79	20 mm	15	»CA« type	8	M 8 x 1.25
K- 07 15 19 80	20 mm	20	»CA« type	8	M 8 x 1.25
K- 07 15 19 81	20 mm	25	»CA« type	8	M 8 x 1.25
K- 07 15 19 82	20 mm	30	»CA« type	8	M 8 x 1.25
K- 07 15 19 83	20 mm	40	»CA« type	8	M 8 x 1.25



Въпреки най-старателната проверка не са изключени грешки и ние не поемаме гаранция за съдържащите се данни.

04.05.2026

HANSA-FLEX AG

www.hansa-flex.com

1

K-RUNDZYLINDER EINF DL O D MSI

Round cylinders, single-acting (pressureless in the retracted position), with magnet, non-cushioned, »MSI« Series



Артикул

Обозначение	Ø бутало	Такт (mm)	Изпълнение	бутална щанга (mm)	външна резба бутална щанга
K- 07 15 19 84	20 mm	50	»CA« type	8	M 8 x 1.25
K- 07 15 19 85	20 mm	60	»CA« type	8	M 8 x 1.25
K- 07 15 19 86	20 mm	75	»CA« type	8	M 8 x 1.25
K- 07 15 19 87	20 mm	80	»CA« type	8	M 8 x 1.25
K- 07 15 19 88	20 mm	100	»CA« type	8	M 8 x 1.25
K- 07 15 19 89	20 mm	125	»CA« type	8	M 8 x 1.25
K- 07 15 19 90	20 mm	150	»CA« type	8	M 8 x 1.25
K- 07 15 19 91	25 mm	10	»CA« type	10	M 10 x 1.25
K- 07 15 19 92	25 mm	15	»CA« type	10	M 10 x 1.25
K- 07 15 19 93	25 mm	20	»CA« type	10	M 10 x 1.25
K- 07 15 19 94	25 mm	25	»CA« type	10	M 10 x 1.25
K- 07 15 19 95	25 mm	30	»CA« type	10	M 10 x 1.25
K- 07 15 19 96	25 mm	40	»CA« type	10	M 10 x 1.25
K- 07 15 19 97	25 mm	50	»CA« type	10	M 10 x 1.25
K- 07 15 19 98	25 mm	60	»CA« type	10	M 10 x 1.25
K- 07 15 19 99	25 mm	75	»CA« type	10	M 10 x 1.25
K- 07 15 20 00	25 mm	80	»CA« type	10	M 10 x 1.25
K- 07 15 20 01	25 mm	100	»CA« type	10	M 10 x 1.25
K- 07 15 20 02	25 mm	125	»CA« type	10	M 10 x 1.25
K- 07 15 20 03	25 mm	150	»CA« type	10	M 10 x 1.25
K- 07 15 20 04	32 mm	10	»CM« type	12	M 10 x 1.25
K- 07 15 20 05	32 mm	15	»CM« type	12	M 10 x 1.25
K- 07 15 20 06	32 mm	20	»CM« type	12	M 10 x 1.25
K- 07 15 20 07	32 mm	25	»CM« type	12	M 10 x 1.25
K- 07 15 20 08	32 mm	30	»CM« type	12	M 10 x 1.25
K- 07 15 20 09	32 mm	40	»CM« type	12	M 10 x 1.25
K- 07 15 20 10	32 mm	50	»CM« type	12	M 10 x 1.25
K- 07 15 20 11	32 mm	60	»CM« type	12	M 10 x 1.25
K- 07 15 20 12	32 mm	75	»CM« type	12	M 10 x 1.25
K- 07 15 20 13	32 mm	80	»CM« type	12	M 10 x 1.25
K- 07 15 20 14	32 mm	100	»CM« type	12	M 10 x 1.25
K- 07 15 20 15	32 mm	125	»CM« type	12	M 10 x 1.25
K- 07 15 20 16	32 mm	150	»CM« type	12	M 10 x 1.25
K- 07 15 20 17	40 mm	10	»CM« type	16	M 12 x 1.25
K- 07 15 20 18	40 mm	15	»CM« type	16	M 12 x 1.25
K- 07 15 20 19	40 mm	20	»CM« type	16	M 12 x 1.25
K- 07 15 20 20	40 mm	25	»CM« type	16	M 12 x 1.25
K- 07 15 20 21	40 mm	30	»CM« type	16	M 12 x 1.25
K- 07 15 20 22	40 mm	40	»CM« type	16	M 12 x 1.25
K- 07 15 20 23	40 mm	50	»CM« type	16	M 12 x 1.25
K- 07 15 20 24	40 mm	60	»CM« type	16	M 12 x 1.25
K- 07 15 20 25	40 mm	75	»CM« type	16	M 12 x 1.25
K- 07 15 20 26	40 mm	80	»CM« type	16	M 12 x 1.25
K- 07 15 20 27	40 mm	100	»CM« type	16	M 12 x 1.25
K- 07 15 20 28	40 mm	125	»CM« type	16	M 12 x 1.25
K- 07 15 20 29	40 mm	150	»CM« type	16	M 12 x 1.25

Принадлежности

K-FUSSBEFESTIGUNG TYP LB 1	Foot model, »LB« type
K-FLANSCHBEFESTIGUNG TYP FA3	Flange model, »FA« type
K-SCHWENKLAGER TYP SDB	Counter-hinge model, »SDB« type
K-SCHWENKGABELBEFESTIG TC	Hinge head model, »TC« type
K-GABELKOEPE TYP Y 1	Fork model, »Y« type
K-GELENKAUGEN TYP UNIT 1	Rod eye model, »UNIT« type
K-SENSOREN CS1 RD MIT STECKER	Sensors »CS1« type, cable with M8 plug
K-SENSOREN CS1 RD OHNE STECKER	Sensors »CS1« type, cable without plug