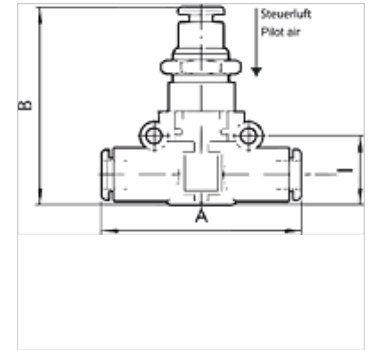


K-WV 3/2 SCHL SCHL

3/2-way valve, pipe - pipe

HANSA FLEX

Свойства	
Работно налягане	макс. 10 bar
протичане 6,3bar, p=1bar	400 NI/min (Ø 6), 790 NI/min (Ø 8)
съединение управляващ въздух	4 mm
Температурен диапазон	-20 °C to +60 °C
функция клапан	NC
корпус	Technopolymer
вътрешни части	nickel-plated brass, brass, \ntechnopolymer, stainless steel
уплътняващ материал	NBR
Монтаж	Wall mounting (housing with drilled holes) Bracket mounting (mounting bracket available) Panel mounting (with bracket or lock nut)
символ	on the housing



Указание

Други данни при запитване.

Описание

A carefully selected assortment of products for installation in pneumatic circuits. These small, highly efficient components allow all pneumatic functions to be implemented anywhere in the circuit. The series has an ultramodular design. All components can be installed in parallel, in series, in a mixed parallel / serial configuration. Available as Pipe / pipe connection with two plug connectors Thread / pipe connection, with one plug connector and one nickel-plated brass thread.

Артикул

Обозначение	за Ø на маркуч (mm)	A (mm)	B (mm)	l (mm)
K- 07 15 25 41	6	49,4	43,2	14,6
K- 07 15 25 42	8	57,3	49,7	18,7