

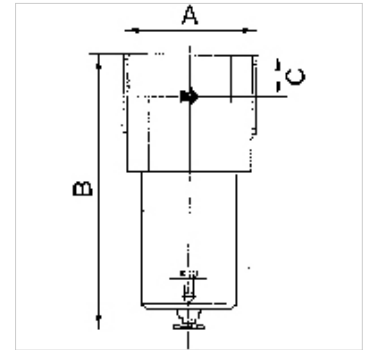
K-FI MIKRO BIS 60 BAR

Micro-filters for high pressures up to 60 bar

HANSA FLEX

Свойства

входящо налягане	Max. 60 bar
работна температура	0 °C to +90 °C
ефективност	99.9999 %
ширина на порите във филтриращия елемент	0.01 µm
уплътняващ материал	NBR
резервоар	Brass
филтриращ елемент	Borosilicate
корпус	Aluminium
измерване на стойността на протичане	At P2 = 6 bar and pressure drop Δp = 0,5 bar



Указание

Други данни при запитване.

Описание

Fine filter for all applications with particularly strict compressed air purity requirements. Micro-filters should always be used in conjunction with a standard filter connected upstream to trap coarse impurities and protect the micro-filter inserts.

Артикул

Обозначение	Резба	протичане (L/min)	A (mm)	B	C (mm)
K- 07 25 06 21	G 3/8	2000	73,0	187,0 mm	25,0
K- 07 25 06 22	G 1/2	2000	65,0	187,0 mm	25,0
K- 07 25 06 23	G 3/4	2300	92,0	196,0 mm	29,0
K- 07 25 06 24	G 1	2300	80,0	196,0 mm	29,0

Принадлежности

K-HALTERBAUSATZ Holder

Резервни части

K-FILTERELEMENT STANDARD Filter element