

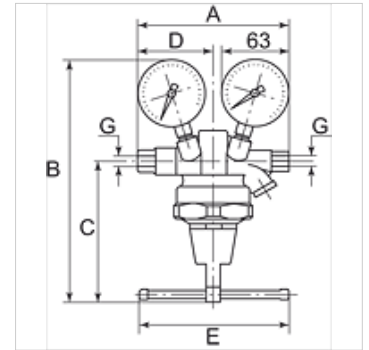
K-LEITUNGSDRUCKREGLER 200 BAR

Inline pressure regulators up to 200 bar

HANSA FLEX

Свойства

Работно налягане	max. 200 bar
работна температура	-10 °C to +90 °C
настройка	Knob (50 bar), Rotary switch (100 and 150 bar)
уплътняващ материал	NBR
Материал	месинг



Указание

Други данни при запитване.

Описание

Inline pressure regulator input pressure, suitable for compressed air, nitrogen and other neutral, compressed gases.

Артикул

Обозначение	Резба	диапазон на регулиране	протичане (L/min)	A (mm)	B (mm)	C (mm)	D (mm)	E (mm)
K- 07 25 08 27	G 1/4 female	1 - 50 bar	2500	162,0	188,5 mm	100,0	76,0	50,0
K- 07 25 08 28	G 1/4 female	1 - 100 bar	2700	162,0	213,5 mm	125,0	76,0	130,0
K- 07 25 08 29	G 1/4 female	1 - 150 bar	2900	162,0	213,5 mm	125,0	76,0	130,0