

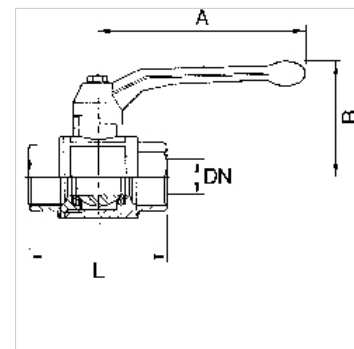
K-BKR BLAU STAHLHEBEL IG IG

Ball valves with blue steel lever, lightweight type, female/female thread

HANSA FLEX

Свойства

Диапазон на използване	Compressed air, water, non-toxic and non-corrosive gases, heating systems, agriculture
Работно налягане	Max. 40 bar
работна температура	-15 °C to +90 °C
резба описание	G thread acc. DIN EN ISO 228-1
корпус	Nickel-plated brass
лост	Steel, with plastic coating
сачма	Chrome-plated brass
сферично уплътнение	PTFE
уплътнение на шпиндел	HNBR / EPDM / PTFE. 2 O-Rings (HNBR / EPDM) 1 gasket (PTFE) additional PTFE-gasket



Указание

Други данни при запитване.

Артикул

Обозначение	DN	Резба	A (mm)	B (mm)	L (mm)
K- 07 30 00 80	8	G 1/4	85,0	42,0	39,0
K- 07 30 00 84	10	G 3/8	85,0	42,0	43,0
K- 07 30 00 88	15	G 1/2	85,0	46,0	50,0
K- 07 30 00 92	20	G 3/4	105,0	53,0	58,0
K- 07 30 00 96	25	G 1	105,0	57,0	69,0
K- 07 30 01 00	32	G 1 1/4	130,0	70,0	81,0
K- 07 30 01 04	40	G 1 1/2	130,0	76,0	93,0
K- 07 30 01 08	50	G 2	165,0	92,0	110,0