

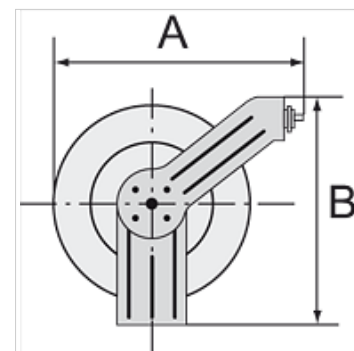
K-SCHL-AUFROLLER SCHWEISS

Hose reel, welding type

HANSA FLEX

Свойства

маркучи	Welding hose for oxygen and acetylene, red and blue, made from synthetic rubber.
Работно налягане	макс. 10 bar
Закрепване	Wall, floor or ceiling
вход	Oxygen G 1/4 male, right-hand thread with 60° inside cone, Acetylene G 3/8 male, left-hand thread with 60° inside cone



Указание

Други данни при запитване.

Описание

Heavy-duty steel design for industrial applications. Blue, powder-coated housing. Special reel guide prevents excessive wear on the hose. An automatic latching mechanism allows the hose to be engaged at any length. Enclosed spring. Precise locking device for continuous feeding or latching mechanism.

Артикул

Обозначение	размер на маркуч	Височина (mm)	Диаметър (mm)	дължина маркуч (m)
K- 07 10 06 28	Oxygen: 16.5 mm x 6 mm, Acetylene: 17 mm x 10 mm	360	320	15