

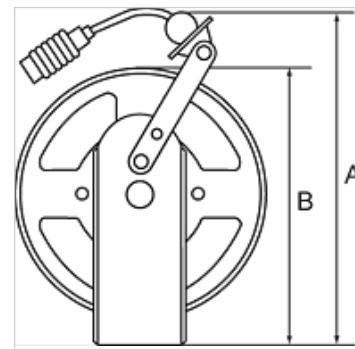
# K-SCHL-AUFROLLER LU WA S

Hose reels for compressed air and water, heavy-duty type

**HANSA FLEX**

## Свойства

|                     |                        |
|---------------------|------------------------|
| Материал на маркуча | Polyurethane           |
| Работно налягане    | макс. 10 bar           |
| работна температура | -10 °C to +40 °C       |
| Закрепване          | Wall, floor or ceiling |
| вход                | Hose stem 8 mm         |



## Указание

Други данни при запитване.

## Описание

Heavy-duty steel design for industrial applications. Blue, powder-coated housing. An automatic latching mechanism allows the hose to be engaged at any length. Enclosed spring. Precise locking device for continuous feeding or latching mechanism. Reel guide prevents excessive wear on the hose.

## Артикул

| Обозначение    | размер на маркуч | A<br>(mm) | B<br>(mm) | дължина маркуч<br>(m) |
|----------------|------------------|-----------|-----------|-----------------------|
| K- 07 10 06 24 | 10 mm x 6,5 mm   | 420,0     | 353,0     | 10                    |
| K- 07 10 06 25 | 10 mm x 6,5 mm   | 420,0     | 353,0     | 20                    |
| K- 07 10 06 26 | 12 mm x 8 mm     | 420,0     | 353,0     | 15                    |
| K- 07 10 06 27 | 16 mm x 11 mm    | 420,0     | 353,0     | 15                    |