

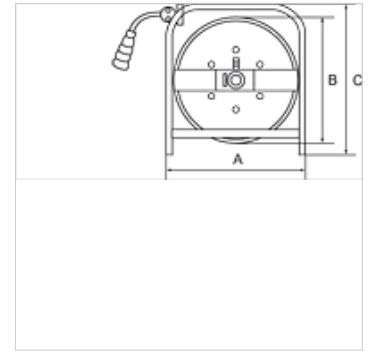
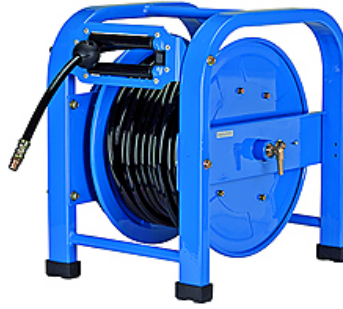
K-SCHL-AUFROLLER MOBIL

Hose reels for mobile applications

HANSA FLEX

Свойства

Материал на маркуча	Polyurethane
Работно налягане	макс. 10 bar
работна температура	-10 °C to +40 °C
вход	Hose stem 8 mm
присъединителна резба	Coupling G 3/8



Указание

Други данни при запитване.

Описание

Specially designed for mobile applications. This 50 m long polyurethane hose is mounted in a portable four-wheel cart made from blue anodised steel. An automatic latching mechanism allows the hose to be engaged at any length. Enclosed spring. Precise locking device for continuous feeding or latching mechanism. Reel guide prevents excessive wear on the hose.

Артикул

Обозначение	размер на маркуч	A (mm)	B (mm)	C (mm)	дължина маркуч (m)
K- 07 10 06 16	12 mm x 8 mm	452,0	400,0	460,0	50