

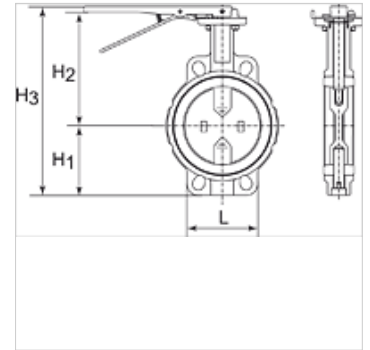
K-ZFL ABSP-KLAPPEN

Butterfly valves

HANSA FLEX

Свойства

Работно налягане	Max. 16 bar
работна температура	-15 °C to +120 °C
Течности	Water / steam, salt water, salt water, ester, ketone, alkali, caustic soda, sodium hydroxide. Not recommended for hydrocarbons
Температурен диапазон	-20 °C to +120 °C
корпус	Grey cast iron GG25 epoxy resin coated, RAL 5015
уплътнение	EPDM
вал	SS416
гофрирано уплътнение	EPDM
ръчен лост	GG25 epoxy resin coated



Указание

Други данни при запитване.

Артикул

Обозначение	шайба	DN	B (mm)	H1 (mm)	H2 (mm)	H3 (mm)	L (mm)
K- 07 30 03 45	Stainless Steel CF8M/1.4404	40	38,0	68,0	94,0	198,0	94,0
K- 07 30 03 46	Stainless Steel CF8M/1.4404	50	47,0	71,0	143,0	236,0	100,0
K- 07 30 03 47	Stainless Steel CF8M/1.4404	65	49,0	78,0	155,0	255,0	115,0
K- 07 30 03 48	Stainless Steel CF8M/1.4404	80	47,0	89,0	162,0	273,0	127,0
K- 07 30 03 49	Stainless Steel CF8M/1.4404	100	56,0	102,0	178,0	302,0	163,0
K- 07 30 03 50	Stainless Steel CF8M/1.4404	125	59,0	123,0	191,0	336,0	190,0
K- 07 30 03 51	Stainless Steel CF8M/1.4404	150	59,0	138,0	205,0	365,0	216,0