

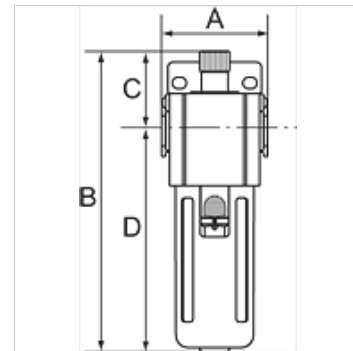
# K-NEBELOELER PC-BEHAEALTER HW G

Oil-mist lubricators with polycarbonate bowl, bowl guard and »HW« mounting bracket

**HANSA FLEX**

## Свойства

входящо налягане	Max. 10 bar
температура на средата	max. 70 °C
околна температура	Max. 70 °C
работно налягане	0.5 - 9 bar
уплътняващ материал	NBR
пружинен калпак	POM
корпус	Die-cast aluminium
наставка прокапване	Brass/POM
измерване на стойността на протичане	At P1 = 8 bar, P2 = 6 bar and pressure drop $\Delta p = 1$ bar
Други данни	User manual on request



## Артикул

Обозначение	Резба	протичане (L/min)	A (mm)	B (mm)	C (mm)	D (mm)	Конструктивен размер
K- 07 25 08 68	G 1/4	2200	51,0	169,0 mm	44,0	125,0	300
K- 07 25 08 69	G 3/8	2650	51,0	169,0 mm	44,0	125,0	300
K- 07 25 08 70	G 1/2	2650	51,0	169,0 mm	44,0	125,0	300
K- 07 25 08 71	G 3/8	7500	68,0	190,0 mm	48,0	142,0	400
K- 07 25 08 72	G 1/2	7500	68,0	190,0 mm	48,0	142,0	400

## Принадлежности

K-ERSATZBEHAELTER G UND G-MINI POLY	Spare tanks »G« Series and »G-mini« Series Polycarbonat
K-HALTERBAUSATZ	Holder
K-VERBINDUNGSELEMENTE	Connecting sets
K-WANDHALTER	Wall bracket