

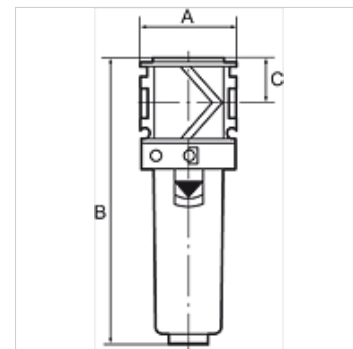
K-FI AK KOH PC-BEHAEEL VARIOBLOC

Activated carbon filters with polycarbonate bowl

HANSA FLEX

Свойства

входящо налягане	Max. 16 bar (polycarbonate bowl), Max. 20 bar (metal bowl)
температура на средата	max. 50 °C
околна температура	Max. 50 °C (polycarbonate bowl), Max. 80 °C (metal bowl)
качество на въздуха ISO 85731	Class 1 dirt, class 1 oil
остатъчно съдържание на масло	0,003 mg/m ³
измерване на стойността на протичане	At P1 = 7 bar and pressure drop $\Delta p = 0,1$ bar



Указание

Activated carbon filters are also supplied with protective cage or metal container.

Други данни при запитване.

Описание

The activated carbon filter absorbs oil vapour from the compressed air. The entering compressed air needs to be dry and free of contaminants (an upstream microfilter is strongly recommended).

Артикул

Обозначение	Резба	протичане (L/min)	A (mm)	B	C (mm)
K- 07 25 19 59	G 1/4	800	48,0	142,0 mm	22,0
K- 07 25 19 60	G 3/8	1000	48,0	142,0 mm	22,0
K- 07 25 19 61	G 1/2	1200	70,0	193,0 mm	26,0
K- 07 25 19 62	G 3/4	1300	70,0	193,0 mm	26,0
K- 07 25 19 63	G 1	1300	124,0	193,0 mm	26,0