

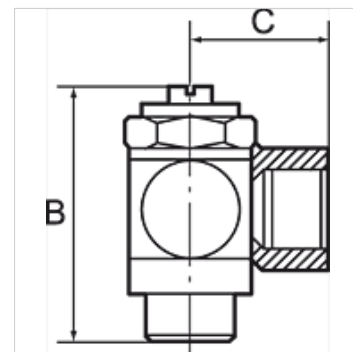
K-DV GEW B SCHLITZ

Bidirectional flow control valves, air restriction at both ends («B»), screw connection

HANSA FLEX

Свойства

Работно налягане	макс. 10 bar
Температурен диапазон	0 °C to +70 °C
кух болт, накланящо се рамо, регулиращ болт	Nickel-plated brass
вътрешни части	Brass with a bare metal surface
маншетен уплътнител кръгло уплътнение	NBR
уплътнения (които не се губят)	Polyamide (glass fibre-reinforced)



Указание

Други данни при запитване.

Описание

For regulation of a cylinder piston speed at both ends and control of flow rates. Designed as a banjo-type valve with a hollow bolt and ring piece for mounting directly. Compact type of construction, also ideal where space is restricted.

Артикул

Обозначение	Съединение	C (mm)	Резба	SW	B (mm)
K- 07 15 05 53	M 5 female thread	11,5	M 5	8 mm	24,5
K- 07 15 05 58	G 1/8 female thread	16,0	G 1/8	14 mm	32,0
K- 07 15 05 54	G 1/4 female thread	22,0	G 1/4	17 mm	40,0
K- 07 15 25 26	G 3/8 female thread	26,0	G 3/8	20 mm	50,0
K- 07 15 25 25	G 1/2 female thread	32,0	G 1/2	26 mm	61,0