

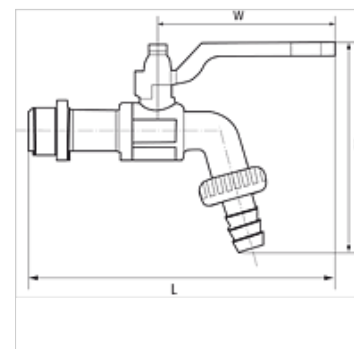
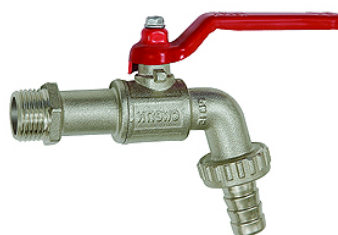
K-KUGELAUSLAUFHAEHNE MS NI

Bibcocks - Nickel-plated brass

HANSA FLEX

Свойства

Диапазон на използване	Water, gaseous and non-corrosive media, compressed air
Работно налягане	15 bar (12 bar at G 1)
Температурен диапазон	-20 °C to +80 °C
уплътнение	Teflon/NBR
корпус	Nickel-plated brass
Материал	sealing: Teflon/NBR



Указание

Други данни при запитване.

Описание

With hose connector, thread acc. to ISO 228-1.

Артикул

Обозначение	DN	Съединение	PN (bar)	H (mm)	L (mm)	W (mm)
K- 07 30 30 33	10	G 3/8 male	15	93,0	135,0	80,0
K- 07 30 30 29	15	G 1/2 male	15	93,0	137,0	80,0
K- 07 30 30 31	20	G 3/4 male	15	109,0	148,5	88,5
K- 07 30 30 27	25	G 1 male	12	126,0	158,0	88,5