

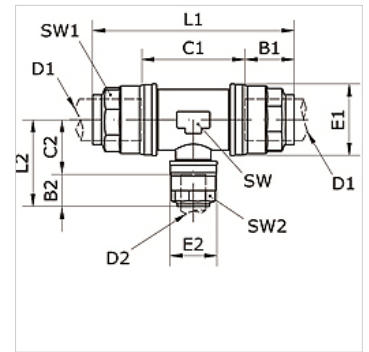
K-T STECK VB SCHANH 20-63 INFI

T-push-in connector Ø 20 mm – Ø 63 mm with integrated gooseneck

HANSA FLEX

Свойства

Течности	Compressed air, vacuum, inert gases
Работно налягане	-0,99 bar - 15 bar
Температурен диапазон	-20 °C to +80 °C
уплътнение	NBR
корпус	Nickel-plated brass
стягащ пръстен	Stainless steel 1.4301
гайка	Nickel-plated brass
кръгло уплътнение	NBR
обезопасителен пръстен	Technopolymer



Артикул

Обозначение	външно Ø на тръба	B1 (mm)	B2 (mm)	C1 (mm)	C2 (mm)	D1 (mm)	D2 (mm)	E1 (mm)	E2 (mm)	L1 (mm)	L2 (mm)	SW (mm)	SW1 (mm)	SW2 (mm)
K- 07 40 53 92	20 - 20 - 20 mm	31,5	31,5	48,0	22,5	20,0	20	34,5	34,5	109,0	54,0	28	30	30
K- 07 40 53 93	25 - 20 - 25 mm	38,0	31,5	45,5	27,5	25,0	20	42,5	34,5	121,5	59,0	35	35	30
K- 07 40 53 94	32 - 20 - 32 mm	46,0	31,5	54,5	31,5	32,0	20	52,0	34,5	146,5	63,0	45	45	30
K- 07 40 53 95	32 - 25 - 32 mm	46,0	38,0	54,5	31,5	32,0	25	52,0	42,5	146,5	70,0	45	45	35
K- 07 40 53 96	40 - 20 - 40 mm	52,5	31,5	60,0	34,5	40,0	20	63,0	34,5	165,5	66,0	55	55	30
K- 07 40 53 97	40 - 25 - 40 mm	52,5	38,0	60,0	34,5	40,0	25	63,0	42,5	165,5	73,0	55	55	35
K- 07 40 53 98	50 - 20 - 50 mm	63,5	31,5	73,5	41,5	50,0	20	73,0	34,5	201,0	73,0	65	65	30
K- 07 40 53 99	50 - 25 - 50 mm	63,5	38,5	73,5	41,0	50,0	25	73,0	42,5	201,0	80,0	65	65	35
K- 07 40 54 00	50 - 32 - 50 mm	63,5	46,0	73,5	41,0	50,0	32	73,0	52,0	201,0	87,5	65	65	45