

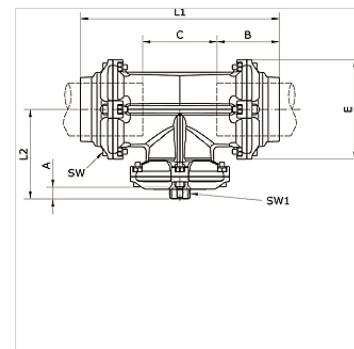
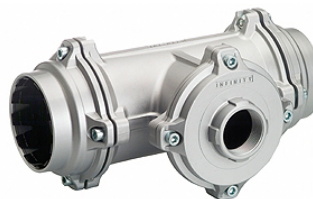
K-T-STECK VB 80-100 SCHANH RED INFI

T-push-in connector Ø 80 mm/Ø 110 mm with integrated gooseneck and reduced outlet with female thread

HANSA FLEX

Свойства

Течности	Compressed air, vacuum, inert gases
Работно налягане	-0,99 bar - 15 bar
Температурен диапазон	-20 °C to +80 °C
водещ пръстен	Technopolymer
корпус	Aluminium, treated surface
болт с вътрешен шестостен	Galvanised steel
стягащ пръстен	Stainless steel 1.4301
гайка	Aluminium, surface treated
кръгло уплътнение	NBR
самоосигуряваща се гайка	Galvanised steel
обезопасителен пръстен	Technopolymer



Артикул

Обозначение	външно Ø на тръба	Съединение	A (mm)	B (mm)	C (mm)	E (mm)	L1 (mm)	L2 (mm)	SW (mm)	SW1 (mm)
K- 07 40 55 17	80 - 80 mm	G 3/4	14,5	91,0	109,0	145,0	291,5	138,0	6	42
K- 07 40 55 18	80 - 80 mm	G 1	17,0	91,0	109,0	145,0	291,5	138,0	6	49
K- 07 40 55 19	80 - 80 mm	G 1 1/2	20,0	91,0	109,0	145,0	291,5	138,0	6	66
K- 07 40 55 20	80 - 80 mm	G 2	22,0	91,0	109,0	145,0	291,5	138,0	6	80
K- 07 40 54 69	110 - 110 mm	G 3/4	14,5	125,5	150,5	200,0	401,0	180,0	8	42
K- 07 40 54 70	110 - 110 mm	G 1	17,0	125,5	150,5	200,0	401,0	180,0	8	49
K- 07 40 54 71	110 - 110 mm	G 1 1/2	20,0	125,5	150,5	200,0	401,0	180,0	8	66
K- 07 40 54 72	110 - 110 mm	G 2	22,0	125,5	150,5	200,0	401,0	180,0	8	80