

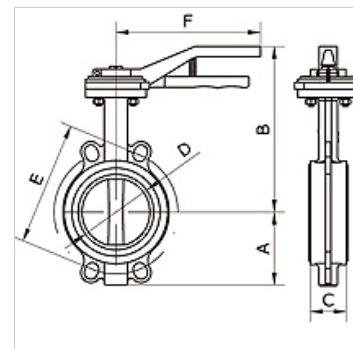
K-ZWFL ABSPRKL 80-100 INFI

Intermediate flange-butterfly valve \varnothing 80 mm/ \varnothing 110 mm

HANSA FLEX

Свойства

Материал Cast-iron



Артикул

Обозначение	за външен \varnothing на тръбата мм	A (mm)	B (mm)	C (mm)	D (mm)	E (mm)	F (mm)
K- 07 40 55 27	80	87,0	216,0	46,0	77	160,0	210,0
K- 07 40 54 62	110	106,0	201,0	52,0	100	180,0	210,0