

K-BEFESTIGUNGSELEMENTE PF3W

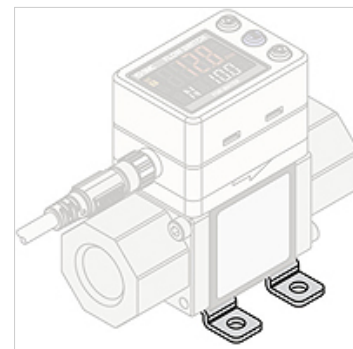
mounting element PF3W

HANSA FLEX

Свойства

серия PF3W

Други данни Accessories for Digital Flow Switch PF3W



Описание

Mount, for PF3W704/720, including 4 self-tapping screws (3 x 8)

Артикул

Обозначение	Изпълнение	дефиниция
K- 07 60 00 26	including 4-tapping screws (3 x 8)	Mounting element for PF3W704/720
K- 07 60 00 27	including 4-tapping screws (3 x 8)	Mounting element for PF3W740
K- 07 60 00 28	including 4-tapping screws (4 x 10)	Mounting element for PF3W711