

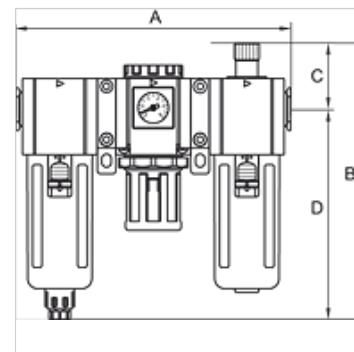
# K-WTEH 3-TLG PC-BEHÄLTER S W H G

Service units, 3-piece with polycarbonate bowl, bowl guard and joiner for wall mounting, semi-automatic drain valve

**HANSA FLEX**

## Свойства

входящо налягане	Max. 10 bar
температура на средата	max. 70 °C
околна температура	Max. 70 °C
ширина на порите във филтриращия елемент	5 µm
уплътняващ материал	NBR
пружинен калпак	POM
корпус	Die-cast aluminium
наставка прокапване	Brass/POM
Drain valve	Semi- or fully-automatic
измерване на стойността на протичане	At P1 = 8 bar, P2 = 6 bar and pressure drop $\Delta p = 1$ bar
Други данни	User manual on request



## Артикул

Обозначение	Резба	диапазон на регулиране	протичане (L/min)	A (mm)	B (mm)	C (mm)	D (mm)	Конструктивен размер
K- 07 25 14 21	G 1/4	1.5 - 9 bar	1100	179,0	187,0	44,0	143,0	300
K- 07 25 14 23	G 3/8	1.5 - 9 bar	1400	179,0	187,0	44,0	143,0	300
K- 07 25 14 25	G 1/2	1.5 - 9 bar	1400	179,0	187,0	44,0	143,0	300
K- 07 25 14 27	G 3/8	1.5 - 9 bar	2950	236,0	214,5	48,0	166,5	400
K- 07 25 14 29	G 1/2	1.5 - 9 bar	2950	236,0	214,5	48,0	166,5	400

## Принадлежности

K-VERSCHLEI-SATZ	Set of wearing parts
K-ERSATZMEMBRANE	Replacement diaphragm
K-ADAPTERPLATTEN HANSA	Adapter plate HANSA
K-SCHUTZKORB G	Protective cage
K-FILTERELEMENT	Filter element
K-ERSATZBEHÄLTER G UND G-MINI POLY	Spare tanks »G« Series and »G-mini« Series Polycarbonat
K-VERBINDUNGSELEMENTE	Connecting sets
K-WANDHALTER	Wall bracket