

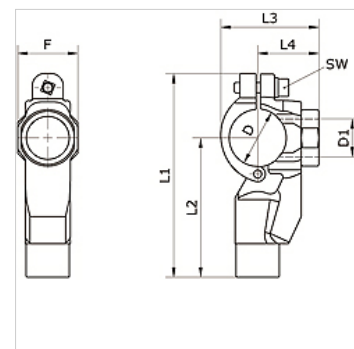
# K-BOHRVORRICHTUNG 20-63 INFI

Drilling device for quick assembly  $\varnothing$  20 mm –  $\varnothing$  63 mm

**HANSA FLEX**

## Свойства

Материал месинг никелиран



## Артикул

| Обозначение    | външно $\varnothing$ на тръба | D<br>(mm) | D1<br>(mm) | F<br>(mm) | L1<br>(mm) | L2<br>(mm) | L3<br>(mm) | L4<br>(mm) | SW<br>(mm) |
|----------------|-------------------------------|-----------|------------|-----------|------------|------------|------------|------------|------------|
| K- 07 40 54 54 | 32 - 24,5 mm                  | 32        | 24,5       | 34,0      | 115,0      | 79,0       | 56,0       | 35,0       | 5          |
| K- 07 40 54 55 | 40 - 24,5 mm                  | 40        | 24,5       | 34,0      | 127,0      | 86,5       | 65,0       | 39,5       | 5          |
| K- 07 40 54 56 | 50 - 32 mm                    | 50        | 32,0       | 42,5      | 146,0      | 97,0       | 79,0       | 47,5       | 6          |
| K- 07 40 54 57 | 63 - 32 mm                    | 63        | 32,0       | 42,5      | 163,5      | 108,5      | 93,0       | 55,0       | 6          |