

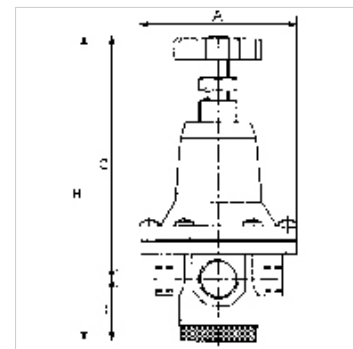
K-DBV MANO 1/2"

Pressure limiting valves size 1/2"

HANSA FLEX

Свойства

Конструкция	Spring-loaded, non-return diaphragm valve with adjustable opening pressure
температура на средата	max. 60 °C
околна температура	Max. 60 °C
уплътняващ материал	NBR
пружинен калпак	POM/brass
корпус	Die-cast zinc, painted silver
мембрана	NBR



Указание

Други данни при запитване.

Описание

Manually adjustable overflow valves. For protecting pneumatic systems against damage caused by excess pressure.

Артикул

Обозначение	Резба	диапазон на регулиране	A (mm)	B	C (mm)	D (mm)
K- 07 25 01 97	G 1/2	0.5 - 3.0 bar	82,0	162,0 mm	129,0	33,0
K- 07 25 01 98	G 1/2	0.5 - 5.5 bar	82,0	162,0 mm	129,0	33,0
K- 07 25 01 99	G 1/2	0.5 - 10.0 bar	82,0	162,0 mm	129,0	33,0

Резервни части

K-HALTERBAUSATZ STANDARD	Holder
K-GERAETESTECKER	Coupling socket
K-SCHALLDAE SINTERBR AG 569	Silencers, sintered bronze, flat type with male thread, 569 Series
K-VERSCHLEI-SATZ	Set of wearing parts
K-KM MS	Hexagonal lock nuts, brass