

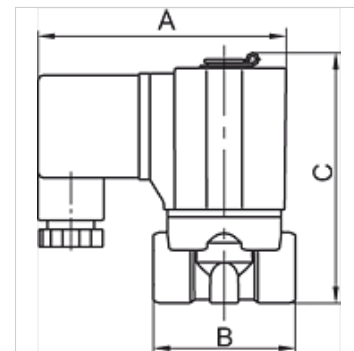
K-MV O (NO) D 24 V DC STA VA

Normally open, (NO), directly operated, 24 V DC, standard type VA

HANSA FLEX

Свойства

електрическо съединение	device socket type A in acc. with ISO 4400 for all valves with threads G 3/8 & G 1/2, except valves type 3 & 4. Device socket
резба описание	G thread acc. DIN EN ISO 228-1
температура на средата	max. 80 °C when using water or oils; max. 90 °C when using with air
вид защита	IP 65
макс. работно налягане	7 bar
уплътняващ материал	FPM
корпус, гнездо на клапан	Stainless steel 1.4301
вътрешни части	Stainless steel



Указание

Други данни при запитване.

Описание

Standard series in two different versions: Directly operated, Pilot-operated

Артикул

Обозначение	Резба	NW	A (mm)	B (mm)	C (mm)	модификация
K- 07 30 01 42	G 1/8	3,0	70,0	40,0	76,0	2
K- 07 30 01 43	G 1/4	3,0	70,0	40,0	76,0	2
K- 07 30 01 44	G 3/8	5,0	85,0	52,0	92,0	2
K- 07 30 01 45	G 1/2	5,0	85,0	52,0	92,0	2