

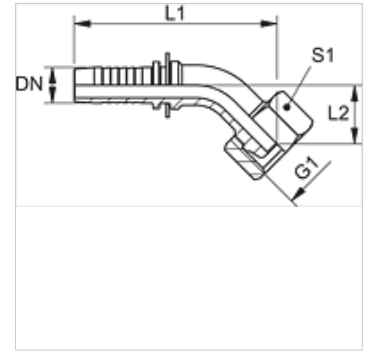
PN AB 45

Lisovaná vsuvka, DKR úhel 45°

HANSA FLEX

Vlastnosti

| | |
|-------------------|---|
| Oblast použití | lisovaná vsuvka pro hadice HD 100 až HD 400, KP, TE |
| Přípoj 1 | Vnitřní závit BSP |
| Tvar těsnění 1 | Vnější kužel 60° |
| Zkratka | DKR |
| Norma | ISO 8434-6 BS 5200 |
| Materiál | Ocel |
| Povrchová ochrana | galvanicky potažený |



Upozornění

Vhodnou objímku zvolte prosím podle typu hadice.

Výrobek

| Označení | DN | Velikost | palce | Provozní tlak (bar) | G1 | L1 (mm) | L2 (mm) | S1 |
|----------------|----|----------|--------|---------------------|--------------|---------|---------|----|
| PN 04 AB 45 | 5 | 3 | 3/16" | 400,0 | G 1/8" -28 | 54,0 | 14,0 | 14 |
| PN 04 AB 06 45 | 5 | 3 | 3/16" | 350,0 | G 1/4" -19 | 54,5 | 12,5 | 19 |
| PN 06 AB 02 45 | 6 | 4 | 1/4" | 350,0 | G 1/8" -28 | 62,5 | 14,0 | 14 |
| PN 06 AB 45 | 6 | 4 | 1/4" | 400,0 | G 1/4" -19 | 60,5 | 12,5 | 19 |
| PN 06 AB 10 45 | 6 | 4 | 1/4" | 400,0 | G 3/8" -19 | 62,0 | 14,0 | 22 |
| PN 08 AB 06 45 | 8 | 5 | 5/16" | 400,0 | G 1/4" -19 | 64,0 | 14,5 | 17 |
| PN 08 AB 10 45 | 8 | 5 | 5/16" | 400,0 | G 3/8" -19 | 64,0 | 14,5 | 22 |
| PN 10 AB 06 45 | 10 | 6 | 3/8" | 400,0 | G 1/4" -19 | 69,5 | 16,5 | 19 |
| PN 10 AB 45 | 10 | 6 | 3/8" | 400,0 | G 3/8" -19 | 69,5 | 16,5 | 22 |
| PN 10 AB 13 45 | 10 | 6 | 3/8" | 350,0 | G 1/2" -14 | 70,5 | 17,5 | 27 |
| PN 13 AB 10 45 | 12 | 8 | 1/2" | 350,0 | G 3/8" -19 | 78,5 | 17,5 | 22 |
| PN 13 AB 45 | 12 | 8 | 1/2" | 350,0 | G 1/2" -14 | 78,5 | 17,5 | 27 |
| PN 13 AB 16 45 | 12 | 8 | 1/2" | 315,0 | G 5/8" -14 | 80,5 | 20,5 | 30 |
| PN 13 AB 20 45 | 12 | 8 | 1/2" | 315,0 | G 3/4" -14 | 82,5 | 22,5 | 32 |
| PN 16 AB 45 | 16 | 10 | 5/8" | 315,0 | G 5/8" -14 | 96,0 | 24,5 | 30 |
| PN 16 AB 20 45 | 16 | 10 | 5/8" | 315,0 | G 3/4" -14 | 97,5 | 26,0 | 32 |
| PN 20 AB 45 | 19 | 12 | 3/4" | 315,0 | G 3/4" -14 | 108,0 | 28,5 | 32 |
| PN 20 AB 25 45 | 19 | 12 | 3/4" | 250,0 | G 1" -11 | 111,0 | 31,5 | 38 |
| PN 25 AB 45 | 25 | 16 | 1" | 250,0 | G 1" -11 | 137,0 | 35,0 | 38 |
| PN 25 AB 32 45 | 25 | 16 | 1" | 250,0 | G 1.1/4" -11 | 134,5 | 32,0 | 50 |
| PN 32 AB 45 | 31 | 20 | 1.1/4" | 250,0 | G 1.1/4" -11 | 165,0 | 45,5 | 50 |
| PN 50 AB 45 | 51 | 32 | 2" | 210,0 | G 2" -11 | 231,5 | 67,0 | 70 |

Varianty produktu

PN AB 45 VA Lisovaná vsuvka, DKR úhel 45°, Ušlechtilá ocel