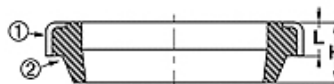
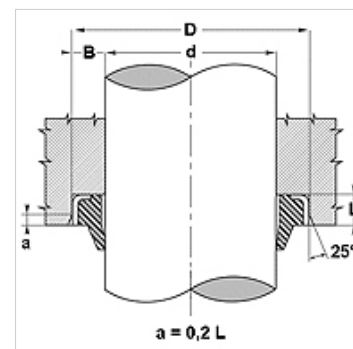


## Vlastnosti

|                      |   |
|----------------------|---|
| Konstrukce           | Stírací kroužek   |
| Kluzná rychlost max. | 0,5 m/s   |
| Teplota min.         | -30 °C  |
| Teplota max.         | 100 °C  |
| Média                | minerální oleje<br>vodní emulze                           |
| Montáž               | vtláčí se do otevřené drážky                              |
| Materiál             | (1) Objímka: ocel<br>(2) Stírací kroužek: 90° Shore A NBR |
| Použití              | Hydraulika  |



| Toleranz / Tolerance |    |            |
|----------------------|----|------------|
| d                    | D  | L          |
| h11                  | H8 | +0,20<br>0 |



## Popis

Minimální požadavky na místo

Vnější kovový kroužek nepronikají žádné nečistoty.

Jednoduché řešení.

## Upozornění k objednávkám

V případě zvláštních provozních podmínek (tekutina, teplota, tlak apod.) se na nás obraťte.

Další možný materiál: FPM.

## Výrobek

| Označení   | d<br>(mm) | D<br>(mm) | D<br>(mm) | L<br>(mm) | H<br>(mm) | drážky podle |
|------------|-----------|-----------|-----------|-----------|-----------|--------------|
| GA 10 16-3 | 10        | 16,0      | -         | 3,0       | 4,5       | -            |
| GA 10 19-3 | 10        | 18,9      | -         | 2,9       | 5,0       | -            |
| GA 10 20-5 | 10        | 20,0      | -         | 5,0       | 8,0       | -            |
| GA 12 18-3 | 12        | 18,0      | -         | 3,5       | 5,0       | -            |
| GA 12 20-4 | 12        | 20,0      | -         | 4,0       | 6,0       | -            |
| GA 12 22-5 | 12        | 22,0      | -         | 5,0       | 8,0       | -            |
| GA 14 20-3 | 14        | 20,0      | -         | 3,0       | 4,5       | -            |
| GA 14 22-3 | 14        | 22,0      | -         | 3,0       | 4,0       | -            |
| GA 16 22-3 | 16        | 22,0      | -         | 3,0       | 4,0       | -            |
| GA 16 26-5 | 16        | 26,0      | -         | 5,0       | 8,0       | -            |
| GA 18 28-5 | 18        | 28,0      | -         | 5,0       | 7,0       | -            |
| GA 18 28-7 | 18        | 28,0      | -         | 7,0       | 10,0      | ISO 5597     |
| GA 20 26-3 | 20        | 26,0      | -         | 3,5       | 5,0       | -            |
| GA 20 28-3 | 20        | 28,0      | -         | 3,5       | 5,0       | -            |
| GA 20 28-5 | 20        | 28,0      | -         | 5,0       | 7,0       | -            |
| GA 20 30-4 | 20        | 30,0      | -         | 4,0       | 6,0       | -            |
| GA 20 30-5 | 20        | 30,0      | -         | 5,0       | 8,0       | -            |
| GA 20 30-7 | 20        | 30,0      | -         | 7,0       | 10,0      | ISO 5597     |
| GA 20 35-7 | 20        | 35,0      | -         | 7,0       | 10,0      | -            |
| GA 22 28-5 | 22        | 28,0      | -         | 5,0       | 9,0       | -            |
| GA 22 30-4 | 22        | 30,0      | -         | 4,0       | 7,0       | -            |
| GA 22 32-5 | 22        | 32,0      | -         | 5,0       | 7,0       | -            |
| GA 22 32-7 | 22        | 32,0      | -         | 7,0       | 10,0      | ISO 5597     |
| GA 22 35-5 | 22        | 35,0      | -         | 5,0       | 8,0       | -            |
| GA 25 35-5 | 25        | 35,0      | -         | 5,0       | 8,0       | -            |
| GA 25 35-7 | 25        | 35,0      | -         | 7,0       | 10,0      | ISO 5597     |
| GA 28 38-5 | 28        | 38,0      | -         | 5,0       | 8,0       | -            |
| GA 28 38-7 | 28        | 38,0      | -         | 7,0       | 10,0      | -            |
| GA 28 40-7 | 28        | 40,0      | -         | 7,0       | 10,0      | -            |
| GA 30 40-5 | 30        | 40,0      | -         | 5,0       | 8,0       | -            |
| GA 30 40-7 | 30        | 40,0      | -         | 7,0       | 10,0      | -            |
| GA 30 45-5 | 30        | 45,0      | -         | 5,0       | 8,0       | -            |
| GA 32 40-4 | 32        | 40,0      | -         | 4,0       | 7,0       | -            |
| GA 32 42-5 | 32        | 42,0      | -         | 5,0       | 7,0       | -            |
| GA 32 42-7 | 32        | 42,0      | -         | 7,0       | 10,0      | -            |
| GA 32 45-4 | 32        | 45,0      | -         | 4,0       | 8,0       | -            |
| GA 32 45-7 | 32        | 45,0      | -         | 7,0       | 10,0      | -            |
| GA 33 43-5 | 33        | 43,0      | -         | 5,0       | 8,0       | -            |



**Výrobek**

| Označení      | d<br>(mm) | D<br>(mm) | D<br>(mm) | L<br>(mm) | H<br>(mm) | drážky podle |
|---------------|-----------|-----------|-----------|-----------|-----------|--------------|
| GA 35 45-5    | 35        | 45,0      | -         | 5,0       | 8,0       | -            |
| GA 35 45-7    | 35        | 45,0      | -         | 7,0       | 10,0      | ISO 5597     |
| GA 35 47-7    | 35        | 47,0      | -         | 7,0       | 10,0      | -            |
| GA 36 45-7    | 36        | 45,0      | -         | 7,0       | 10,0      | -            |
| GA 36 46-5    | 36        | 46,0      | -         | 5,0       | 8,0       | -            |
| GA 3747 - 5   | 37        | -         | 47        | 5,0       | -         | -            |
| GA 38 48-7    | 38        | 48,0      | -         | 7,0       | 10,0      | -            |
| GA 40 50-5    | 40        | 50,0      | -         | 5,0       | 8,0       | -            |
| GA 40 50-7    | 40        | 50,0      | -         | 7,0       | 10,0      | ISO 5597     |
| GA 40 52-5    | 40        | 52,0      | -         | 5,0       | 8,0       | -            |
| GA 42 52-7    | 42        | 52,0      | -         | 7,0       | 10,0      | -            |
| GA 45 55-7    | 45        | 55,0      | -         | 7,0       | 10,0      | ISO 5597     |
| GA 45 60-7    | 45        | 60,0      | -         | 7,0       | 10,0      | -            |
| GA 48 60-7    | 48        | 60,0      | -         | 7,0       | 10,0      | -            |
| GA 50 56-5    | 50        | 56,0      | -         | 5,0       | 8,0       | -            |
| GA 50 60-5    | 50        | 60,0      | -         | 5,0       | 8,0       | -            |
| GA 50 60-7    | 50        | 60,0      | -         | 7,0       | 10,0      | ISO 5597     |
| GA 50 65-5    | 50        | 65,0      | -         | 5,0       | 8,0       | -            |
| GA 50 65-7    | 50        | 65,0      | -         | 7,0       | 10,0      | -            |
| GA 52 62-7    | 52        | 62,0      | -         | 7,0       | 10,0      | -            |
| GA 55 63-7    | 55        | 63,0      | -         | 7,0       | 10,0      | -            |
| GA 55 65-7    | 55        | 65,0      | -         | 7,0       | 10,0      | -            |
| GA 55 70-7    | 55        | 70,0      | -         | 7,0       | 10,0      | -            |
| GA 55 80-5    | 55        | 80,0      | -         | 5,0       | 8,0       | -            |
| GA 56 65-7    | 56        | 65,0      | -         | 7,0       | 10,0      | -            |
| GA 56 66-5    | 56        | 66,0      | -         | 5,0       | 8,0       | -            |
| GA 56 66-7    | 56        | 66,0      | -         | 7,0       | 10,0      | ISO 5597     |
| GA 60 70-5    | 60        | 70,0      | -         | 5,0       | 7,0       | -            |
| GA 60 70-7    | 60        | 70,0      | -         | 7,0       | 10,0      | -            |
| GA 60 74-5    | 60        | 74,0      | -         | 5,0       | 8,0       | -            |
| GA 60 75-7    | 60        | 75,0      | -         | 7,0       | 10,0      | -            |
| GA 63 75-7    | 63        | 75,0      | -         | 7,0       | 10,0      | -            |
| GA 63 83-5    | 63        | 83,0      | -         | 5,0       | 8,0       | -            |
| GA 65 75-7    | 65        | 75,0      | -         | 7,0       | 10,0      | -            |
| GA 70 80-5    | 70        | 80,0      | -         | 5,0       | 7,0       | -            |
| GA 70 80-7    | 70        | 80,0      | -         | 7,0       | 10,0      | ISO 5597     |
| GA 75 85-7    | 75        | 85,0      | -         | 7,0       | 10,0      | -            |
| GA 75 87-5    | 75        | 87,0      | -         | 5,0       | 7,0       | -            |
| GA 80 90-7    | 80        | 90,0      | -         | 7,0       | 10,0      | ISO 5597     |
| GA 85 95-7    | 85        | 95,0      | -         | 7,0       | 10,0      | -            |
| GA 90 100-5   | 90        | 100,0     | -         | 5,0       | 7,0       | -            |
| GA 90 100-7   | 90        | 100,0     | -         | 7,0       | 10,0      | ISO 5597     |
| GA 95 105-7   | 95        | 105,0     | -         | 7,0       | 10,0      | -            |
| GA 100 110-5  | 100       | 110,0     | -         | 5,0       | 7,0       | -            |
| GA 100 110-7  | 100       | 110,0     | -         | 7,0       | 10,0      | -            |
| GA 105 115-7  | 105       | 115,0     | -         | 7,0       | 10,0      | -            |
| GA 110 120-7  | 110       | 120,0     | -         | 7,0       | 10,0      | -            |
| GA 115 125-7  | 115       | 125,0     | -         | 7,0       | 10,0      | -            |
| GA 120 130-7  | 120       | 130,0     | -         | 7,0       | 10,0      | -            |
| GA 125 140-7  | 125       | 140,0     | -         | 7,0       | 10,0      | -            |
| GA 125 140-9  | 125       | 140,0     | -         | 9,0       | 12,0      | ISO 5597     |
| GA 130 145-9  | 130       | 145,0     | -         | 9,0       | 12,0      | -            |
| GA 135 145-7  | 135       | 145,0     | -         | 7,0       | 10,0      | -            |
| GA 135 150-9  | 135       | 150,0     | -         | 9,0       | 12,0      | -            |
| GA 140 150-7  | 140       | 150,0     | -         | 7,0       | 10,0      | -            |
| GA 140 155-9  | 140       | 155,0     | -         | 9,0       | 12,0      | ISO 5597     |
| GA 150 165-9  | 150       | 165,0     | -         | 9,0       | 12,0      | -            |
| GA 160 175-9  | 160       | 175,0     | -         | 9,0       | 12,0      | ISO 5597     |
| GA 170 185-10 | 170       | 185,0     | -         | 10,0      | 14,0      | -            |
| GA 180 195-10 | 180       | 195,0     | -         | 10,0      | 14,0      | -            |
| GA 200 220-12 | 200       | 220,0     | -         | 12,0      | 16,0      | -            |