

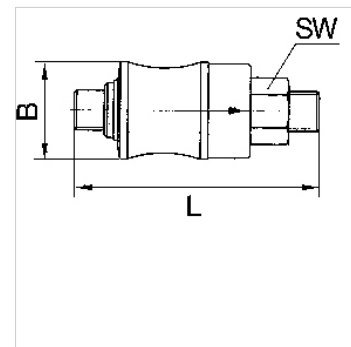
K-HAND-SCHIEBEVENTIL

Manual slide valves

HANSA FLEX

Vlastnosti

Provozní tlak	max. 10 bar
Provozní teplota	max. +70 °C



Upozornění

Další údaje na dotaz.

Popis

For use on devices that have to be vented whenever they are turned off, either because of safety regulations or for technical reasons. The pneumatic devices are disconnected from the system and simultaneously vented each time they are shut off.

Výrobek

Označení	Závit	B (mm)	L (mm)	SW (mm)
K- 07 30 15 92	G 1/8	21,0	67,0	14
K- 07 30 15 93	G 1/4	24,0	77,0	17
K- 07 30 15 94	G 3/8	31,0	87,0	22
K- 07 30 15 95	G 1/2	35,0	104,0	26