

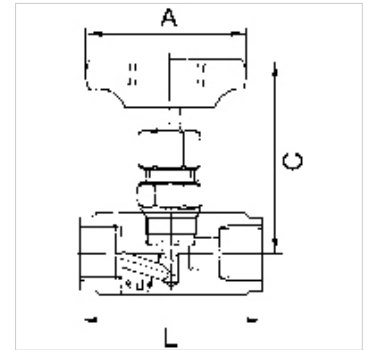
K-NADELVENTILE VA

Needle valves

HANSA FLEX

Vlastnosti

Provozní tlak	max. 400 bar (at 20 °C); max. 250 bar (at G 1 - 20 °C)
Provozní teplota	-20 °C to +120 °C
Těsnicí materiál	PTFE
Pouzdro	Stainless steel 1.4571
Ruční kolo	Plastic
Materiál	sealing: PTFE



Upozornění

G thread acc. to DIN EN ISO 228-1, with ISO flange plate (acc. to ISO 5211)

Další údaje na dotaz.

Upozornění k objednávkám

For use on devices that have to be vented whenever they are turned off, either because of safety regulations or for technical reasons. The pneumatic devices are disconnected from the system and simultaneously vented each time they are shut off.

Další informace

Port sizes G 1 1/4, G 1 1/2 and G 2 available on request

Výrobek

Označení	DN	Závit	A (mm)	C (mm)	L (mm)
K- 07 30 24 03	4	G 1/8	50,0	74,0	50,0
K- 07 30 24 04	5	G 1/4	50,0	73,0	50,0
K- 07 30 24 05	6	G 3/8	50,0	72,0	55,0
K- 07 30 24 06	8	G 1/2	63,0	83,0	60,0
K- 07 30 24 07	10	G 3/4	63,0	100,0	75,0
K- 07 30 24 08	12	G 1	80,0	110,0	100,0