

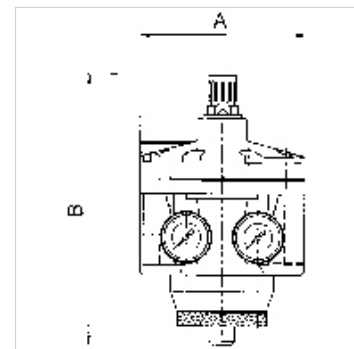
K-HOCHLEIST DRUCKREGLER

Heavy-duty pressure regulators

HANSA FLEX

Vlastnosti

Tlak na vstupu	Max. 25 bar
Teplota média	max. 60 °C
Teplota okolí	Max. 60 °C
Průtok	50000 l/min
Těsnicí materiál	Nitrilkaučuk
Pouzdro	Aluminium, painted silver
Měření hodnoty průtoku	At P1 = 8 bar, P2 = 6 bar and pressure drop Δp = 1 bar



Upozornění

Další údaje na dotaz.

Popis

Diaphragm pressure regulators, independent of inlet pressure, with internal pilot control and self-relieving design for very high flow rates. Separate indication of input and working pressure on two pressure gauges. The pressure setting can be locked by pushing the knob down. We recommend always using these controllers in conjunction with our K-07250607 and K-07250609 filters.

Výrobek

Označení	Závit	Regulační rozsah	A (mm)	B	DN
K- 07 25 08 03	G 1 1/2	0.1 - 3 bar	188,0	261,0 mm	50
K- 07 25 08 04	G 1 1/2	0.2 - 6 bar	188,0	261,0 mm	50
K- 07 25 08 05	G 1 1/2	0.5 - 10 bar	188,0	261,0 mm	50
K- 07 25 08 06	G 1 1/2	0.5 - 16 bar	188,0	261,0 mm	50
K- 07 25 08 07	G 2	0.1 - 3 bar	160,0	261,0 mm	50
K- 07 25 08 08	G 2	0.2 - 6 bar	160,0	261,0 mm	50
K- 07 25 08 09	G 2	0.5 - 10 bar	160,0	261,0 mm	50
K- 07 25 08 10	G 2	0.5 - 16 bar	160,0	261,0 mm	50

Náhradní díly

K-VERSCHLEI-SATZ	Set of wearing parts
K-LOESBARE DOPPELNIPPEL MS	Double nipples