

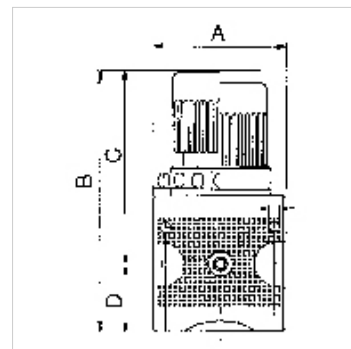
K-DRG DRVS MULTIFIX

Pressure regulators with pressure supply at both ends

HANSA FLEX

Vlastnosti

Tlak na vstupu	Max. 16 bar
Teplota média	max. 60 °C
Teplota okolí	Max. 60 °C
Těsnicí materiál	Nitrilkaučuk
Kryt pružiny	POM-brass
Pouzdro	Die-cast zinc
Měření hodnoty průtoku	At P1 = 8 bar, P2 = 6 bar and pressure drop Δp = 1 bar



Upozornění

Další údaje na dotaz.

Popis

Diaphragm pressure regulators with self-relieving design for mounting side by side. The pressure setting can be locked by pushing the knob down.
By assembling two or more controllers together, it is possible to supply several working air circuits with different output pressures via a single supply line.

Upozornění k objednávkám

The port for the output pressure (P2) is on the rear! K-07250031: G 1/4, K-07250034: G 1/2. Lockable pressure regulators K-07250030 available on request.

Výrobek

Označení	Závit	Regulační rozsah	Průtok (L/min)	A (mm)	B	C (mm)	D (mm)	DN	Konstrukční velikost
K- 07 25 00 31	G 1/4	0.1 - 3 bar	2000	47,8	94,8 mm	67,0	27,8	6	1
K- 07 25 00 32	G 1/4	0.2 - 6 bar	2000	47,8	94,8 mm	67,0	27,8	6	1
K- 07 25 00 30	G 1/4	0.5 - 10 bar	2000	47,8	94,8 mm	67,0	27,8	6	1
K- 07 25 00 34	G 1/2	0.1 - 3 bar	5500	68,8	134,1 mm	99,0	35,1	15	2
K- 07 25 00 35	G 1/2	0.2 - 6 bar	5500	68,8	134,1 mm	99,0	35,1	15	2
K- 07 25 00 33	G 1/2	0.5 - 10 bar	5500	68,8	134,1 mm	99,0	35,1	15	2

Náhradní díly

K-HALTERBAUSATZ	Holder
K-SCHALTAFELMÜTTER	Nut
K-HALTERBAUSATZ MULTIFIX	Holder
K-KOPPELPAKET MEHR	Coupling packet
K-KOPPELPAKET SCHMA	Coupling packet
K-VERSCHLEI-SATZ	Set of wearing parts