

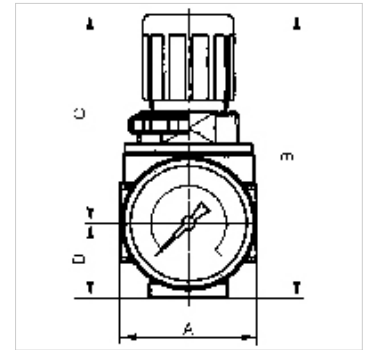
# K-DRG DRVS MULTIFIX MINI

Pressure regulators with pressure supply at both ends

**HANSA FLEX**

## Vlastnosti

Tlak na vstupu	Max. 16 bar
Teplota média	max. 60 °C
Teplota okolí	Max. 60 °C
Těsnicí materiál	Nitrilkaučuk
Kryt pružiny	POM-brass
Pouzdro	Die-cast zinc
Měření hodnoty průtoku	At P1 = 8 bar, P2 = 6 bar and pressure drop $\Delta p$ = 1 bar



## Upozornění

Další údaje na dotaz.

## Popis

Diaphragm pressure regulators with self-relieving design for mounting side by side. The pressure setting can be locked by pushing the button down. <br>By assembling two or more controllers together, it is possible to supply several working air circuits with different output pressures via a single supply line.

## Upozornění k objednávkám

The port for the output pressure (P2) is on the rear! K-07250028: G 1/8. Lockable pressure regulator: K-07250027. If several devices in the »multifix-mini« Series are assembled together, the maximum working pressure is 12 bar.

## Výrobek

Označení	Závít	Regulační rozsah	Průtok (L/min)	A (mm)	B	C (mm)	D (mm)	DN	Konstrukční velikost
K- 07 25 00 28	G 1/4	0.1 - 3 bar	1200	40,0	85,0 mm	63,0	22,0	5	0
K- 07 25 00 29	G 1/4	0.2 - 6 bar	1200	40,0	85,0 mm	63,0	22,0	5	0
K- 07 25 00 27	G 1/4	0.5 - 10 bar	1200	40,0	85,0 mm	63,0	22,0	5	0

## Náhradní díly

K-HALTERBAUSATZ	Holder
K-SCHALTTAFELMUTTER	Nut
K-KOPPELPAKET MEHR	Coupling packet
K-VERSCHLEI-SATZ	Set of wearing parts