

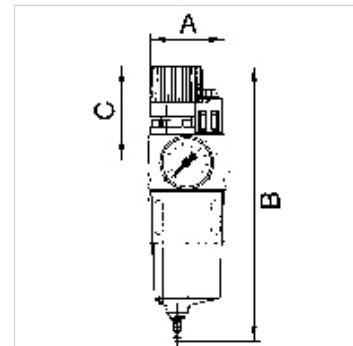
# K-WTEH KOMBI PC-BEHÄLTER H ABLV

Combination service units with polycarbonate bowl and manual drain valve

**HANSA FLEX**

## Vlastnosti

Tlak na vstupu	Max. 16 bar (polycarbonate bowl), Max. 25 bar (metal bowl)
Teplota média	max. 50 °C
Teplota okolí	Max. 50 °C
Šířka póru ve filtrační vložce	50 µm
Těsnicí materiál	Nitrilkaučuk
Pouzdro	Die-cast zinc, Spring bonnet; PA
Odkapávací nástavec	PA
Měření hodnoty průtoku	At P1 = 8 bar, P2 = 6 bar and pressure drop $\Delta p = 1$ bar



## Upozornění

Další údaje na dotaz.

## Popis

A filter, pressure regulator and oil-mist lubricator combined in a single device with an extremely compact design. The pressure setting can be locked by pushing the knob down. Oil can be filled under pressure.

## Výrobek

Označení	Závit	Regulační rozsah	Průtok (L/min)	A (mm)	B	C (mm)
K- 07 25 08 44	G 1/4	0.5 - 10 bar	1400	67,0	217,0 mm	68,5
K- 07 25 08 46	G 1/4	0.5 - 16 bar	1000	67,0	217,0 mm	68,5
K- 07 25 08 48	G 3/8	0.5 - 10 bar	1400	67,0	217,0 mm	68,5
K- 07 25 08 50	G 3/8	0.5 - 16 bar	1000	67,0	217,0 mm	68,5
K- 07 25 08 52	G 1/2	0.5 - 10 bar	1400	65,0	217,0 mm	68,5
K- 07 25 08 54	G 1/2	0.5 - 16 bar	1000	65,0	217,0 mm	68,5
K- 07 25 08 56	G 3/4	0.5 - 10 bar	3400	97,0	296,5 mm	96,5
K- 07 25 08 58	G 3/4	0.5 - 16 bar	2800	97,0	296,5 mm	96,5
K- 07 25 08 60	G 1	0.5 - 10 bar	3400	93,0	296,5 mm	96,5
K- 07 25 08 62	G 1	0.5 - 16 bar	2800	93,0	296,5 mm	96,5

## Náhradní díly

K-HALTERBAUSATZ SERIE 81	Holder for series 81
K-ERSATZBEHÄLTER KOMBI	Spare tank
K-SCHUTZKORB G	Protective cage
K-VERSCHLEI-SATZ	Set of wearing parts
K-TROPFAUFSATZ POLYCARBO	Drip attachment polycarbonate
K-TROPFAUFSATZ METALL	Drip attachment metal
K-FILTERELEMENT	Filter element
K-ABLASSVENTIL AUTO	Fully-automatic drain valve with Adapter G 1/8
K-RD NIPPEL KURZ 1	Reducing nipples, short type
K-XV AGM 2	Double nipples, parallel male thread