

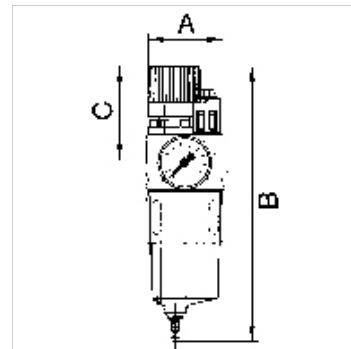
K-WTEH KOMBI PC-BEHÄLTER S H ABLV

Combination service units with polycarbonate bowl, bowl guard and manual drain valve

HANSA FLEX

Vlastnosti

Tlak na vstupu	Max. 16 bar (polycarbonate bowl), Max. 25 bar (metal bowl)
Teplota média	max. 50 °C
Teplota okolí	Max. 50 °C
Šířka póru ve filtrační vložce	50 µm
Těsnicí materiál	Nitrilkaučuk
Pouzdro	Die-cast zinc, Spring bonnet; PA
Odkapávací nástavec	PA
Měření hodnoty průtoku	At P1 = 8 bar, P2 = 6 bar and pressure drop $\Delta p = 1$ bar



Upozornění

Další údaje na dotaz.

Popis

A filter, pressure regulator and oil-mist lubricator combined in a single device with an extremely compact design. The pressure setting can be locked by pushing the knob down. Oil can be filled under pressure.

Výrobek

Označení	Závit	Regulační rozsah	Průtok (L/min)	A (mm)	B	C (mm)
K- 07 25 08 45	G 1/4	0.5 - 10 bar	1400	67,0	217,0 mm	68,5
K- 07 25 08 47	G 1/4	0.5 - 16 bar	1000	67,0	217,0 mm	68,5
K- 07 25 08 49	G 3/8	0.5 - 10 bar	1400	67,0	217,0 mm	68,5
K- 07 25 08 51	G 3/8	0.5 - 16 bar	1000	67,0	217,0 mm	68,5
K- 07 25 08 53	G 1/2	0.5 - 10 bar	1400	65,0	217,0 mm	68,5
K- 07 25 08 55	G 1/2	0.5 - 16 bar	1000	65,0	217,0 mm	68,5
K- 07 25 08 57	G 3/4	0.5 - 10 bar	3400	97,0	296,5 mm	96,5
K- 07 25 08 59	G 3/4	0.5 - 16 bar	2800	97,0	296,5 mm	96,5
K- 07 25 08 61	G 1	0.5 - 10 bar	3400	93,0	296,5 mm	96,5
K- 07 25 08 63	G 1	0.5 - 16 bar	2800	93,0	296,5 mm	96,5

Náhradní díly

K-HALTERBAUSATZ SERIE 81	Holder for series 81
K-ERSATZBEHÄLTER KOMBI	Spare tank
K-SCHUTZKORB G	Protective cage
K-VERSCHLEI-SATZ	Set of wearing parts
K-TROPFAUFSATZ POLYCARBO	Drip attachment polycarbonate
K-TROPFAUFSATZ METALL	Drip attachment metal
K-FILTERELEMENT	Filter element
K-ABLASSVENTIL AUTO	Fully-automatic drain valve with Adapter G 1/8
K-RD NIPPEL KURZ 1	Reducing nipples, short type
K-XV AGM 2	Double nipples, parallel male thread