

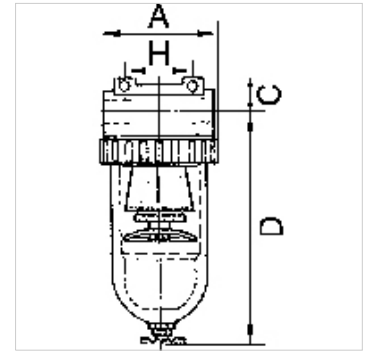
K-FI SPEZI PC-BEHAEL H K STANDARD

Special filters with polycarbonate bowl and bowl guard, with semi-automatic drain valve to G 1/2 and manual drain valve from G 3/4

HANSA FLEX

Vlastnosti

Tlak na vstupu	Max. 16 bar (polycarbonate bowl / bowl guard), Max. 25 bar (metal bowl)
Teplota média	max. 50 °C
Teplota okolí	Max. 50 °C
Účinnost	99.999 %
Šířka póru ve filtrační vložce	0.01 µm
Pouzdro	Die-cast zinc, painted silver
Měření hodnoty průtoku	At P2 = 6 bar and pressure drop $\Delta p = 1$ bar



Upozornění

Další údaje na dotaz.

Popis

For all applications with particularly strict compressed air purity requirements. The separating efficiency of these filters permits very fine oil vapour particles and micro-fine suspended particles to be filtered. A standard filter should always be connected upstream to trap coarse impurities and protect the micro-filter inserts.

Výrobek

Označení	Závit	Průtok (L/min)	A (mm)	C (mm)	D (mm)	H (mm)	DN
K- 07 25 10 75	G 1/4	380	48,0	14,0	131,6	38,0	6
K- 07 25 10 78	G 3/8	380	48,0	14,0	131,6	38,0	6
K- 07 25 10 80	G 3/8	720	70,0	16,0	145,7	50,0	10
K- 07 25 10 82	G 1/2	1250	79,0	18,0	168,4	50,0	15
K- 07 25 10 85	G 3/4	7000	133,0	36,0	206,0	134,0	20
K- 07 25 10 88	G 1	7000	133,0	36,0	206,0	120,0	25

Náhradní díly

K-HALTERBAUSATZ STANDARD	Holder
K-FILTERELEMENT STANDARD	Filter element
K-SCHUTZKORB G	Protective cage
K-XV AGM MS NI	Double nipples, parallel male thread, nickel-plated brass
K-LOESBARE DOPPELNIPPEL MS	Double nipples