

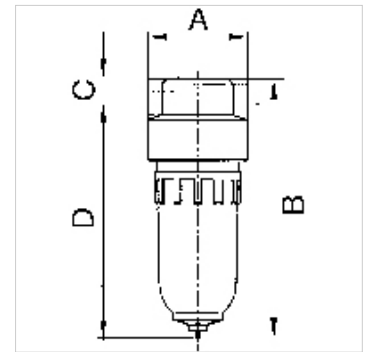
K-FI METALLBEHAELTER STANDARD-MINI

Filters with metal bowl

HANSA FLEX

Vlastnosti

| | |
|---------------------------------------|--|
| Tlak na vstupu | Max. 16 bar (polycarbonate bowl), Max. 25 bar (metal bowl) |
| Teplota média | max. 60 °C |
| Teplota okolí | Max. 60 °C |
| Průtok | 800 l/min |
| Šířka póru ve filtrační vložce | 8 µm |
| Těsnicí materiál | Nitrilkaučuk |
| Pouzdro | Die-cast zinc, painted silver |
| Drain valve | Semi-automatic for variant with polycarbonate bowl, Manual for variant with metal bowl |
| Měření hodnoty průtoku | At P2 = 6 bar and pressure drop $\Delta p = 1$ bar |
| Další údaje | User manual on request |



Popis

Centrifugal separators with a sintered filter element. Compact design.

Výrobek

| Označení | Závit | A (mm) | B | C (mm) | D (mm) | DN |
|----------------|-------|-----------|----------|-----------|-----------|----|
| K- 07 25 05 83 | G 1/8 | 40,0 | 108,5 mm | 10,0 | 98,5 | 5 |
| K- 07 25 05 84 | G 1/4 | 40,0 | 108,5 mm | 10,0 | 98,5 | 5 |

Náhradní díly

| | |
|--------------------------------|---|
| K-ERSATZBEHAELTER MULTI MINI | Spare tank »multifix-mini« & »standard-mini« |
| K-PC-BEHAELTER FILTER MULTIFIX | Polycarbonate tank filter |
| K-FILTERELEMENT | Filter element |
| K-AUTOMAT ABLASSVENTIL | Automatic drain valve |
| K-LOESBARE DOPPELNIPPEL MS | Double nipples |
| K-XV AGM MS NI | Double nipples, parallel male thread, nickel-plated brass |