

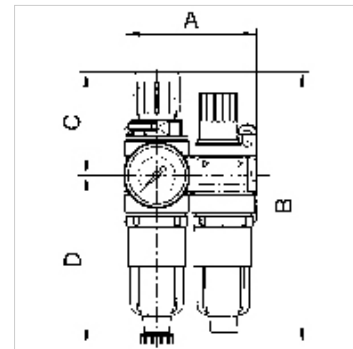
# K-WTEH 2-TLG MET MANO TROPF STAN-MI

Service units, 2-piece with metal bowl and pressure gauge, metal sight dome

**HANSA FLEX**

## Vlastnosti

<b>Tlak na vstupu</b>	Max. 16 bar (polycarbonate bowl), Max. 25 bar (metal bowl)
<b>Teplota média</b>	max. 60 °C
<b>Teplota okolí</b>	Max. 60 °C
<b>Průtok</b>	350 l/min (2-piece), 300 l/min (3-piece)
<b>Šířka póru ve filtrační vložce</b>	5 µm
<b>Těsnicí materiál</b>	Nitrilkaučuk
<b>Pouzdro</b>	Die-cast zinc, painted silver
<b>Odkapávací nástavec</b>	PA (polycarbonate bowl), Zinc-glass-NBR (metal bowl)
<b>Drain valve</b>	Semi-automatic for variant with polycarbonate bowl, Manual for variant with metal bowl
<b>Měření hodnoty průtoku</b>	At P1 = 8 bar, P2 = 6 bar and pressure drop $\Delta p = 1$ bar



## Upozornění

Další údaje na dotaz.

## Popis

Compact, two or three-piece service units consisting of a reversible diaphragm pressure regulator, independent of inlet pressure, with self-relieving design, combined with a centrifugal separator and a proportional lubricator.

## Výrobek

Označení	Závít	Regulační rozsah	A (mm)	B	C (mm)	D (mm)	DN
K- 07 25 14 90	G 1/8	0.5 - 10 bar	85,0	167,0 mm	65,0	102,0	5
K- 07 25 14 92	G 1/4	0.5 - 10 bar	85,0	167,0 mm	67,0	102,0	5

## Náhradní díly

K-HALTERBAUSATZ	Holder
K-SCHALTAFELMUTTER	Nut
K-ERSATZBEHAELTER MULTI MINI	Spare tank »multifix-mini« & »standard-mini«
K-PC-BEHAELTER FILTER MULTIFIX	Polycarbonate tank filter
K-VERSCHLEI-SATZ	Set of wearing parts
K-FILTERELEMENT	Filter element
K-AUTOMAT ABLASSVENTIL	Automatic drain valve
K-TROPFAUFSATZ POLYCARBO	Drip attachment polycarbonate
K-TROPFAUFSATZ METALL	Drip attachment metal
K-LOESBARE DOPPELNIPPEL MS	Double nipples
K-XV AGM MS NI	Double nipples, parallel male thread, nickel-plated brass