

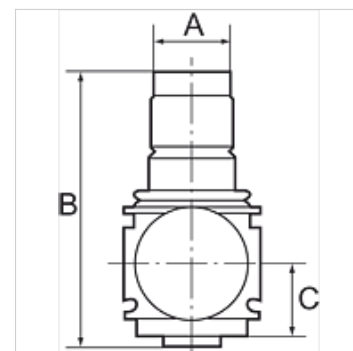
# K-DRG VARIOBLOC

Pressure regulators

**HANSA FLEX**

## Vlastnosti

Tlak na vstupu	Max. 25 bar
Teplota média	max. 50 °C
Teplota okolí	Max. 50 °C
Těsnicí materiál	Nitrilkaučuk
Kryt pružiny	POM
Pouzdro	Die-cast zinc
Membrána	NBR
Měření hodnoty průtoku	At P1 = 10 bar, P2 = 6 bar and pressure drop $\Delta p = 1$ bar



## Upozornění

Další údaje na dotaz.

## Popis

Reversible diaphragm pressure regulators, independent of inlet pressure, with self-relieving design. The pressure setting can be locked by pushing the knob down. Approved series in modern industrial design, with the following key benefits: Simple handling, Convenient modular assembly thanks to innovative fasteners, Excellent flow values.

## Upozornění k objednávkám

Pressure regulators are also available in lockable version. Please ask for more information.

## Výrobek

Označení	Závit	Regulační rozsah	Průtok (L/min)	A (mm)	B	C (mm)
K- 07 25 04 18	G 1/4	0.5 - 6 bar	2000	48,0	98,0 mm	26,0
K- 07 25 04 19	G 1/4	0.5 - 10 bar	2000	48,0	98,0 mm	26,0
K- 07 25 04 20	G 1/4	0.5 - 16 bar	2000	48,0	98,0 mm	26,0
K- 07 25 04 21	G 3/8	0.5 - 6 bar	3200	48,0	98,0 mm	26,0
K- 07 25 04 22	G 3/8	0.5 - 10 bar	3200	48,0	98,0 mm	26,0
K- 07 25 04 23	G 3/8	0.5 - 16 bar	3200	48,0	98,0 mm	26,0
K- 07 25 04 24	G 1/2	0.5 - 6 bar	7000	70,0	134,0 mm	32,5
K- 07 25 04 25	G 1/2	0.5 - 10 bar	7000	70,0	134,0 mm	32,5
K- 07 25 04 26	G 1/2	0.5 - 16 bar	7000	70,0	134,0 mm	32,5
K- 07 25 04 27	G 3/4	0.5 - 6 bar	8000	70,0	134,0 mm	32,5
K- 07 25 04 28	G 3/4	0.5 - 10 bar	8000	70,0	134,0 mm	32,5
K- 07 25 04 29	G 3/4	0.5 - 16 bar	8000	70,0	134,0 mm	32,5
K- 07 25 04 30	G 1	0.5 - 6 bar	8000	124,0	134,0 mm	32,5
K- 07 25 04 31	G 1	0.5 - 10 bar	8000	124,0	134,0 mm	32,5
K- 07 25 04 32	G 1	0.5 - 16 bar	8000	124,0	134,0 mm	32,5

## Náhradní díly

K-VERSCHLEI-SATZ VARIOBLOC Set of wearing parts