

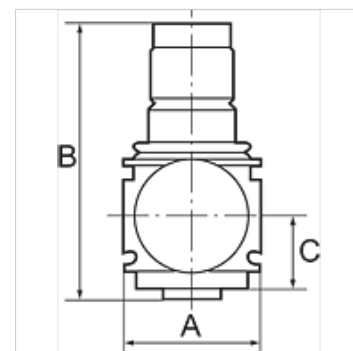
K-DRG DRVS VARIOBLOC

Pressure regulators with pressure supply at both ends

HANSA FLEX

Vlastnosti

Tlak na vstupu	Max. 25 bar
Teplota média	max. 50 °C
Teplota okolí	Max. 50 °C
Těsnicí materiál	Nitrilkaučuk
Kryt pružiny	POM-brass
Pouzdro	Die-cast zinc
Měření hodnoty průtoku	At P1 = 10 bar, P2 = 6 bar and pressure drop Δp = 1 bar



Upozornění

Další údaje na dotaz.

Popis

Diaphragm pressure regulators with self-relieving design for mounting side by side. The pressure setting can be locked by pushing the knob down.
By assembling two or more controllers together, it is possible to supply several working air circuits with different output pressures via a single supply line.

Upozornění k objednávkám

Pressure regulators are also available in lockable version. Please ask for more information.

Výrobek

Označení	Závit	Regulační rozsah	Průtok (L/min)	A (mm)	B	C (mm)
K- 07 25 04 33	G 1/4	0.5 - 6 bar	1800	48,0	98,0 mm	26,0
K- 07 25 04 34	G 1/4	0.5 - 10 bar	1800	48,0	98,0 mm	26,0
K- 07 25 04 35	G 1/4	0.5 - 16 bar	1800	48,0	98,0 mm	26,0
K- 07 25 04 36	G 3/8	0.5 - 6 bar	1800	48,0	98,0 mm	26,0
K- 07 25 04 37	G 3/8	0.5 - 10 bar	1800	48,0	98,0 mm	26,0
K- 07 25 04 38	G 3/8	0.5 - 16 bar	1800	48,0	98,0 mm	26,0

Náhradní díly

K-VERSCHLEI-SATZ VARIOBLOC Set of wearing parts