

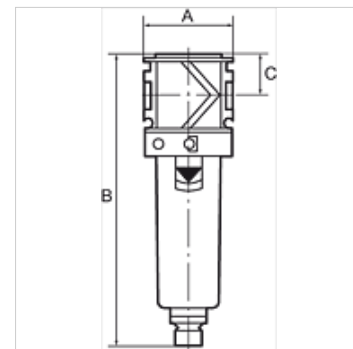
K-FI MIKRO PC-BEHAELTER VARIOBLOC

Micro-filters with polycarbonate bowl

HANSA FLEX

Vlastnosti

Tlak na vstupu	Max. 16 bar (polycarbonate bowl), Max. 20 bar (metal bowl)
Teplota média	max. 50 °C
Teplota okolí	Max. 50 °C (polycarbonate bowl), Max. 80 °C (metal bowl)
Jemnost filtru	0,01 µm
Kvalita vzduchu podle ISO 85731	Class 1 dirt, class 1 oil
Účinnost	99.999 %
Měření hodnoty průtoku	At P1 = 7 bar and pressure drop $\Delta p = 0,1$ bar



Upozornění

Další údaje na dotaz.

Popis

Borosilicate filter for all applications where compliance with strict compressed air purity requirements is vital. As the second stage downstream of the standard filter, the micro-filter removes 99.999 % of even the finest remaining particles from water, oil and dirt with practically zero residues (filter rating: 0.01 µm).

Upozornění k objednávkám

Micro-filters are also available with bowl guard or metal bowl.

Výrobek

Označení	Závit	Průtok (L/min)	A (mm)	B	C (mm)
K- 07 25 10 89	G 1/4	370	48,0	155,0 mm	22,0
K- 07 25 10 91	G 3/8	420	48,0	155,0 mm	22,0
K- 07 25 10 93	G 1/2	1000	70,0	202,0 mm	26,0
K- 07 25 10 95	G 3/4	1100	70,0	202,0 mm	26,0
K- 07 25 10 97	G 1	1100	124,0	202,0 mm	26,0

Náhradní díly

K-ERSATZBEHAELTER VARIOBLOC POLY	Spare tank Polycarbonat
K-FILTERELEMENT VARIOBLOC	Filter element
K-ABLASSVENTIL AUTO	Fully-automatic drain valve with Adapter G 1/8