

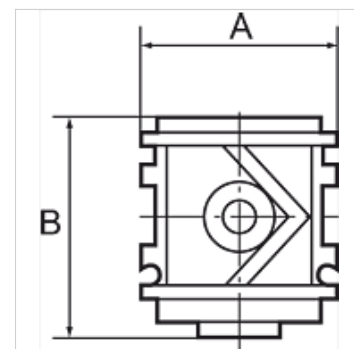
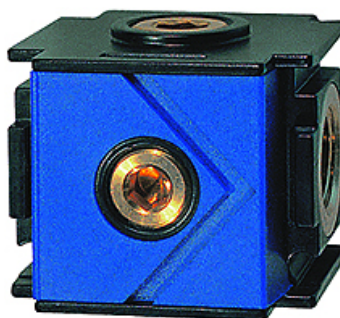
K-VT VARIBLOC

Ball valves

HANSA FLEX

Vlastnosti

Odbočky	4 (all sealed at delivery)
Outlets for G 1/2 and G 3/4	Top / bottom G 3/8 / G 1/2, Front / back G 1/4
Outlets for G 1/4 and G 3/8	Top / bottom G 3/8, Front / back G 1/4
Měření hodnoty průtoku	At P1 = 6 bar and pressure drop $\Delta p = 1$ bar



Upozornění

Další údaje na dotaz.

Popis

For removing unlubricated air when the manifold is flanged on upstream of the oil-mist lubricator. An integrated non-return valve prevents oil inflow from the oil-mist lubricator or the line.

Výrobek

Označení	Závit	Průtok (L/min)	A (mm)	B
K- 07 25 11 99	G 1/4	900	48,0	44,0 mm
K- 07 25 12 00	G 3/8	900	48,0	44,0 mm
K- 07 25 12 01	G 1/2	4000	70,0	56,0 mm
K- 07 25 12 02	G 3/4	5000	70,0	56,0 mm
K- 07 25 12 03	G 1	5000	124,0	56,0 mm