

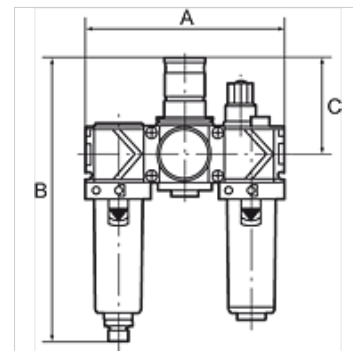
K-WTEH 3-TLG PC-BEHAEL VARIOBLOC

Service units, 3-piece with polycarbonate bowl

HANSA FLEX

Vlastnosti

Tlak na vstupu	Max. 16 bar (polycarbonate bowl), Max. 20 bar (metal bowl)
Teplota média	max. 50 °C
Teplota okolí	Max. 50 °C (polycarbonate bowl), Max. 80 °C (metal bowl)
Šířka póru ve filtrační vložce	40 µm
Těsnicí materiál	Nitrilkaučuk
Kryt pružiny	POM
Pouzdro	Die-cast zinc
Membrána	NBR
Odkapávací nástavec	PA
Drain valve	Manual
Měření hodnoty průtoku	At P1 = 10 bar, P2 = 6 bar and pressure drop $\Delta p = 1$ bar



Upozornění

Další údaje na dotaz.

Popis

Two or three-piece service units consisting of a reversible diaphragm pressure regulator, independent of inlet pressure, with self-relieving design, combined with a centrifugal separator and a proportional lubricator. Approved series in modern industrial design, with the following key benefits: Simple handling, Convenient modular assembly thanks to innovative fasteners, Excellent flow values.

Upozornění k objednávkám

Service units are also available with bowl guard or metal bowl. Service units are also available in other control ranges (0.5 - 6 bar and 0.5 - 16 bar) and in lockable version. Please ask for more information.

Další informace

Service units are also available with bowl guard or metal bowl. Service units are also available in other control ranges.

Výrobek

Označení	Závit	Regulační rozsah	Průtok (L/min)	A (mm)	B	C (mm)
K- 07 25 14 11	G 1/4	0.5 - 10 bar	1500	144,0	201,0 mm	68,0
K- 07 25 14 13	G 3/8	0.5 - 10 bar	1800	144,0	201,0 mm	68,0
K- 07 25 14 15	G 1/2	0.5 - 10 bar	3400	210,0	247,0 mm	98,0
K- 07 25 14 17	G 3/4	0.5 - 10 bar	5000	210,0	247,0 mm	98,0
K- 07 25 14 19	G 1	0.5 - 10 bar	5000	264,0	247,0 mm	98,0

Náhradní díly

K-VERSCHLEI-SATZ VARIOBLOC	Set of wearing parts
K-FILTERELEMENT VARIOBLOC	Filter element
K-TROPFAUFSATZ VARIOBLOC	Drip attachment
K-ERSATZBEHAELTER VARIOBLOC POLY	Spare tank Polycarbonat
K-ABLASSVENTIL AUTO	Fully-automatic drain valve with Adapter G 1/8
K-TROPFAUFSATZ METALL	Drip attachment metal