

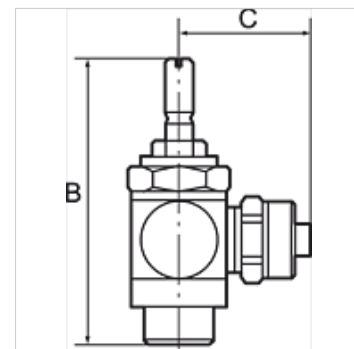
K-DRV ABLD SCHNVERSCHR C RAENDEL

Unidirectional flow control valves, outgoing air restriction (»C«), quick-lock screw fitting

HANSA FLEX

Vlastnosti

Provozní tlak	max. 10 bar
Teplotní rozsah	0 °C to +70 °C
Dutý šroub, výkyvné rameno, regulační šroub	Nickel-plated brass
Vnitřní součásti	Brass with a bare metal surface
Jazýčkové těsnění O-kroužku	NBR
Těsnění (neztratitelná)	Polyamide (glass fibre-reinforced)



Upozornění

Další údaje na dotaz.

Popis

For fine regulation of a cylinder piston speed and precise control of flow rates. Designed as a banjo-type valve with a hollow bolt and ring piece.

Can be screwed directly onto the valve or cylinder. Compact type of construction, also ideal where space is restricted. On the version with a knurled screw, the set volumetric flow rate can be locked with the hexagon nut to obtain a fixed setting.

Výrobek

Označení	C (mm)	pro hadici	Závit	SW	B (mm)
K- 07 15 04 54	18,0	4 mm / 2,5 mm	M 5	8 mm	38,9
K- 07 15 04 55	19,0	5 mm / 3 mm	M 5	8 mm	38,9
K- 07 15 04 56	19,0	6 mm / 4 mm	M 5	8 mm	38,9
K- 07 15 04 63	25,0	6 mm / 4 mm	G 1/8	14 mm	42,4
K- 07 15 04 64	25,0	8 mm / 6 mm	G 1/8	14 mm	42,4
K- 07 15 04 60	26,5	6 mm / 4 mm	G 1/4	17 mm	51,4
K- 07 15 04 61	27,5	8 mm / 6 mm	G 1/4	17 mm	51,4
K- 07 15 04 59	28,5	10 mm / 8 mm	G 1/4	17 mm	51,4