

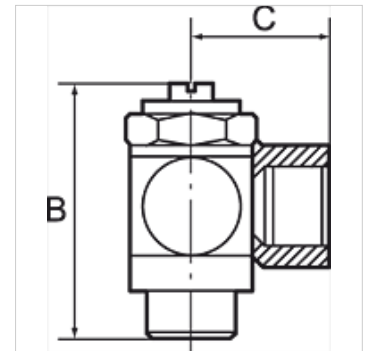
K-DRV SCHNVERSCHR V SCHLITZ

Unidirectional flow control valves, incoming air restriction (»V«), quick-lock screw fitting

HANSA FLEX

Vlastnosti

Provozní tlak	max. 10 bar
Teplotní rozsah	0 °C to +70 °C
Dutý šroub, výkyvné rameno, regulační šroub	Nickel-plated brass
Vnitřní součásti	Brass with a bare metal surface
Jazyčkové těsnění O-kroužku	NBR
Těsnění (neztratitelná)	Polyamide (glass fibre-reinforced)



Upozornění

Další údaje na dotaz.

Popis

For fine regulation of a cylinder piston speed in the forward and return motion and precise control of flow rates. Designed as a banjo-type valve with a hollow bolt and ring piece. Can be screwed directly onto the valve or cylinder to restrict the incoming air. Compact type of construction, also ideal where space is restricted.

Výrobek

Označení	C (mm)	pro hadici	Závit	SW	B (mm)
K- 07 15 05 63	18,0	4 mm / 2,5 mm	M 5	8 mm	24,5
K- 07 15 05 64	19,0	5 mm / 3 mm	M 5	8 mm	24,5
K- 07 15 05 65	19,0	6 mm / 4 mm	M 5	8 mm	24,5
K- 07 15 05 71	23,0	5 mm / 3 mm	G 1/8	14 mm	32,0
K- 07 15 05 72	25,0	6 mm / 4 mm	G 1/8	14 mm	32,0
K- 07 15 05 73	25,0	8 mm / 6 mm	G 1/8	14 mm	32,0
K- 07 15 05 68	26,5	6 mm / 4 mm	G 1/4	17 mm	40,0
K- 07 15 05 69	27,5	8 mm / 6 mm	G 1/4	17 mm	40,0
K- 07 15 05 67	28,5	10 mm / 8 mm	G 1/4	17 mm	40,0
K- 07 15 05 74	30,5	10 mm / 8 mm	G 3/8	20 mm	50,0