

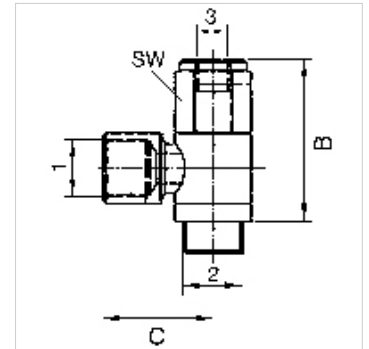
K-HS RD

Unidirectional banjo valves, pneumatic release, port 2 with female thread

HANSA FLEX

Vlastnosti

Pracovní tlak	0.3 - 10 bar
Ovládací tlak	0.5 - 2.5 bar, depending on operating pressure
Teplota média	max. 60 °C
Vestavná poloha	Any. The ring piece must be positioned before the valve is tightened
Materiál	poniklovaná mosaz
Těsnicí materiál	Perbunan



Upozornění

Další údaje na dotaz.

Popis

For stopping and positioning the cylinder movement: If a control signal is present at port 3 (see drawing), air can flow to and from the cylinder. If no control signal is present, the cylinder exhaust air is shut off by the unidirectional valve. The cylinder is stopped. Releasable unidirectional valves are screwed directly onto the cylinder instead of the normal pipe connections.

Výrobek

Označení	Port 1	Port 2	přípoj 3	B (mm)	C (mm)
K- 07 15 07 04	G 1/8	G 1/8	M 5	38,0	21,5
K- 07 15 07 03	G 1/4	G 1/4	G 1/8	43,0	25,4
K- 07 15 07 05	G 3/8	G 3/8	G 1/8	46,0	31,6
K- 07 15 07 02	G 1/2	G 1/2	G 1/8	52,0	32,0