

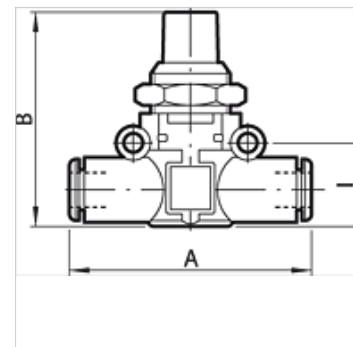
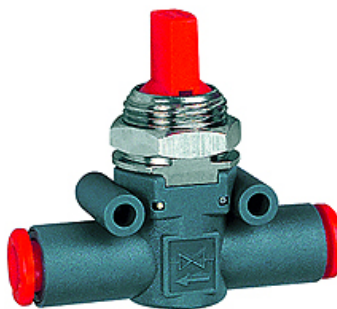
# K-ABSPV SCHL SCHL

Shut-off valves, pipe - pipe

**HANSA FLEX**

## Vlastnosti

Provozní tlak	max. 10 bar
Průtok 6,3 bar, p = 1 bar	280 NI/min (Ø 6), 470 NI/min (Ø 8)
Teplotní rozsah	-20 °C to +60 °C
Tělo	Technopolymer
Vnitřní součásti	nickel-plated brass, brass, technopolymer, stainless steel
Těsnicí materiál	Nitrilkaučuk
Montáž	Wall mounting (housing with drilled holes) Bracket mounting (mounting bracket available) Panel mounting (with bracket or lock nut)
Symbol	on the housing



## Upozornění

Další údaje na dotaz.

## Popis

A carefully selected assortment of products for installation in pneumatic circuits. These small, highly efficient components allow all pneumatic functions to be implemented anywhere in the circuit. The series has an ultramodular design. All components can be installed in parallel, in series, in a mixed parallel / serial configuration. Available as Pipe / pipe connection with two plug connectors Thread / pipe connection, with one plug connector and one nickel-plated brass thread.

## Výrobek

Označení	pro Ø hadice (mm)	Symbol	A (mm)	B (mm)	l (mm)
K- 07 15 04 42	6	On housing	49,0	41,0	14,6
K- 07 15 04 43	8	On housing	57,2	46,0	18,7