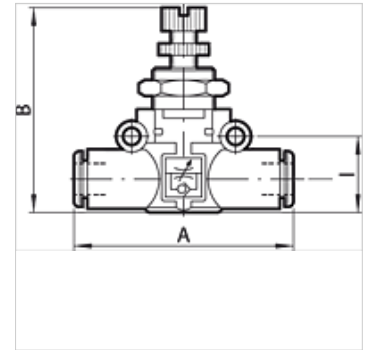
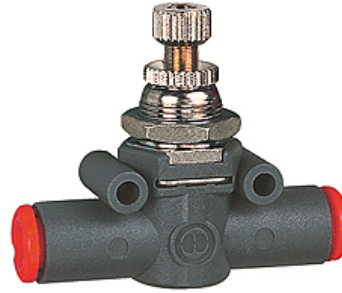


K-DUFR E SCHL SCHL

Flow regulators, flow at one end, pipe - pipe

Vlastnosti

Provozní tlak	max. 10 bar
Průtok 6,3 bar	155 l/min (Ø 4), 450 l/min (Ø 6), 850 l/min (Ø 8)
Průtok Odvzdušnění 6,3 bar	160 l/min (Ø 4), 550 l/min (Ø 6), 950 l/min (Ø 8)
Nastavení	Manual or screwdriver
Teplotní rozsah	-20 °C to +60 °C
Tělo	Technopolymer
Vnitřní součásti	nickel-plated brass, brass, technopolymer, stainless steel
Těsnicí materiál	Nitrilkaučuk
Montáž	Wall mounting (housing with drilled holes) Bracket mounting (mounting bracket available) Panel mounting (with bracket or lock nut)
Symbol	on the housing



Upozornění

Další údaje na dotaz.

Popis

A carefully selected assortment of products for installation in pneumatic circuits. These small, highly efficient components allow all pneumatic functions to be implemented anywhere in the circuit. The series has an ultramodular design. All components can be installed in parallel, in series, in a mixed parallel / serial configuration. Available as Pipe / pipe connection with two plug connectors Thread / pipe connection, with one plug connector and one nickel-plated brass thread.

Výrobek

Označení	pro Ø hadice (mm)	A (mm)	B (mm)	l (mm)
K- 07 15 05 82	4	42,0	35,0	12,7
K- 07 15 05 83	6	49,4	40,0	14,6
K- 07 15 05 84	8	57,3	49,0	18,7