

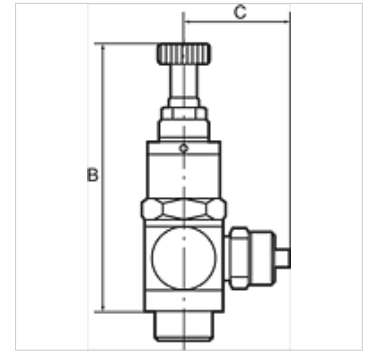
K-KDR SCHNVERSCHR

Mini pressure regulators, discharge port on thread, quick-lock screw fitting

HANSA FLEX

Vlastnosti

| | |
|---|------------------------------------|
| Regulační rozsah | 0 - 8 bar |
| Tlak na vstupu | Max. 10 bar |
| Teplotní rozsah | 0 °C to +70 °C |
| Dutý šroub, výkyvné rameno, regulační šroub | Nickel-plated brass |
| Vnitřní součásti | Brass with a bare metal surface |
| Jazýčkové těsnění O-kroužku | NBR |
| Těsnění (neztratitelná) | Polyamide (glass fibre-reinforced) |



Upozornění

Další údaje na dotaz.

Popis

Piston pressure regulator with self-relieving design, hollow bolt and pivoting ring piece. The regulator is screwed directly into the consumer (e.g. cylinder, handling equipment, etc.). The working pressure can thus be adapted to the specific application.

Výrobek

| Označení | C (mm) | pro hadici | Závit | SW | B (mm) |
|----------------|-----------|--------------|-------|-------|-----------|
| K- 07 25 08 33 | 16,0 | G 1/8 IG | G 1/8 | 15 mm | 56,0 |
| K- 07 25 08 34 | 25,0 | 5 mm / 3 mm | G 1/8 | 15 mm | 56,0 |
| K- 07 25 08 35 | 25,0 | 6 mm / 4 mm | G 1/8 | 15 mm | 56,0 |
| K- 07 25 08 36 | 25,0 | 8 mm / 6 mm | G 1/8 | 15 mm | 56,0 |
| K- 07 25 08 31 | 26,5 | 6 mm / 4 mm | G 1/4 | 17 mm | 63,0 |
| K- 07 25 08 32 | 27,5 | 8 mm / 6 mm | G 1/4 | 17 mm | 63,0 |
| K- 07 25 08 30 | 28,5 | 10 mm / 8 mm | G 1/4 | 17 mm | 63,0 |