

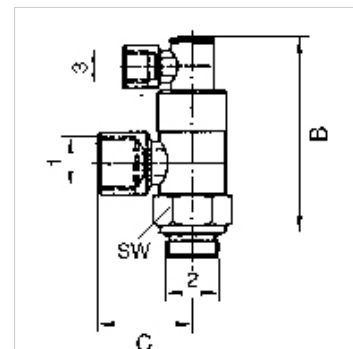
K-STOPPVENTILE IG

Stop valves, ports 2 and 3 with female thread

HANSA FLEX

Vlastnosti

Pracovní tlak	Max. 10 bar
Ovládací tlak	1 - 5 bar, depending on operating pressure
Teplota média	max. 70 °C
Vestavná poloha	Any. Ring pieces can still be rotated 360° after the valve has been tightened
Materiál	poniklovaná mosaz
Těsnicí materiál	Perbunan



Upozornění

Další údaje na dotaz.

Popis

For high-speed positioning and stop functions as well as emergency switching (e.g. emergency stop). If a control signal is present at port 3, air can flow to and from the cylinder. If no control signal is present, the air flow to and from the cylinder is shut off, causing the cylinder to stop in the required position. Stop valves are screwed directly onto the cylinder instead of the normal pipe connections.

Výrobek

Označení	Port 1	Port 2	přípoj 3	B (mm)	C (mm)
K- 07 15 20 46	G 1/8	G 1/8	G 1/8	52,0	21,0
K- 07 15 20 45	G 1/4	G 1/4	G 1/8	58,0	25,0
K- 07 15 20 47	G 3/8	G 3/8	G 1/8	63,0	31,0
K- 07 15 20 44	G 1/2	G 1/2	G 1/8	72,0	40,0