

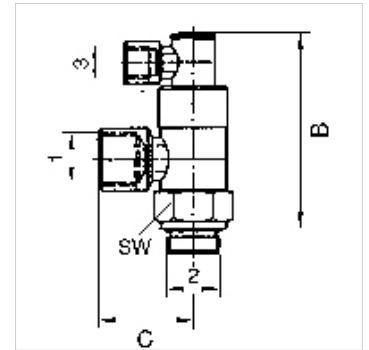
# K-STOPPVENTILE STECK

Stop valves, ports 2 and 3 with plug connection

**HANSA FLEX**

## Vlastnosti

|                  |   |
|------------------|---|
| Pracovní tlak    | Max. 10 bar   |
| Ovládací tlak    | 1 - 5 bar, depending on operating pressure                                    |
| Teplota média    | max. 70 °C  |
| Vestavná poloha  | Any. Ring pieces can still be rotated 360° after the valve has been tightened |
| Těsnicí materiál | Perbunan  |



## Upozornění

Další údaje na dotaz.

## Popis

For high-speed positioning and stop functions as well as emergency switching (e.g. emergency stop). If a control signal is present at port 3, air can flow to and from the cylinder. If no control signal is present, the air flow to and from the cylinder is shut off, causing the cylinder to stop in the required position. Stop valves are screwed directly onto the cylinder instead of the normal pipe connections.

## Výrobek

| Označení       | Port 1 | Port 2 | přípoj 3 | Materiál            | B<br>(mm) | C<br>(mm) |
|----------------|--------|--------|----------|---------------------|-----------|-----------|
| K- 07 15 20 50 | G 1/8  | 6 mm   | 4 mm     | Nickel-plated brass | 52,0      | 25,0      |
| K- 07 15 20 49 | G 1/4  | 6 mm   | 4 mm     | Nickel-plated brass | 58,0      | 28,0      |
| K- 07 15 20 51 | G 3/8  | 8 mm   | 4 mm     | Nickel-plated brass | 63,0      | 32,0      |
| K- 07 15 20 48 | G 1/2  | 12 mm  | 4 mm     | Nickel-plated brass | 72,0      | 41,0      |