

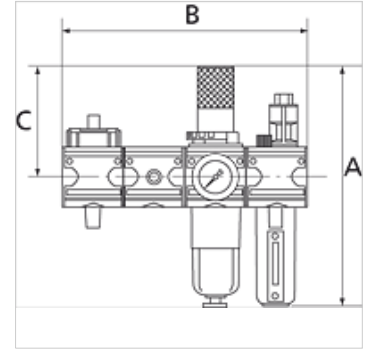
K-WTST SAFETY BKR SCHA AN 2T MULTI

SAFETY service unit sets, comprising a ball valve with silencer, start-up valve and 2-piece service unit with lock cylinder

HANSA FLEX

Vlastnosti

Tlak na vstupu	2 - 16 bar
Tlak na výstupu	0.5 - 10 bar
Teplotní rozsah	Max. 60 °C
Média	Stlačený plyn
Těsnicí materiál	Nitrilkaučuk
Nádoba	Polycarbonate (with bayonet lock) and bowl guard
Kryt pružiny	POM
Filtrační prvek	Cellpor (PE) 5 µm
Pouzdro	Die-cast zinc
Membrána	NBR
Drain valve	Semi-automatic
Měření hodnoty průtoku	At P1 = 8 bar, P2 = 6 bar and pressure drop $\Delta p = 1$ bar
Další údaje	see data sheets of the individual components (on request)
Přípoj odvětr. Kulový kohout	Silencer



Popis

These compressed air service unit sets, comprising a ball valve with silencer, a start-up valve and one out of a pressure regulator, filter regulator or service unit, meet even the strictest requirements for operating reliability and accident prevention!

Upozornění k objednávkám

The price does not include a padlock. Please order separately. For accessories and spare parts, refer to individual components: ball valve, start-up valve, pressure regulator, filter regulator, 2-piece service unit.

Výrobek

Označení	Závit	Průtok (L/min)	A (mm)	B	C (mm)	Vypouštění kondenzátu
K- 07 25 15 17	G 1/4	1000	219,1	182,8 mm	94,0	Semi-automatic
K- 07 25 15 18	G 1/2	3550	269,3	266,8 mm	122,0	Semi-automatic
K- 07 25 15 19	G 1	9800	410,8	382,8 mm	157,0	Semi-automatic