

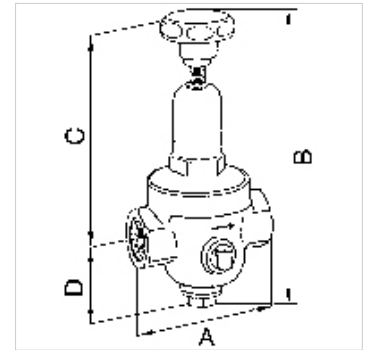
K-DRG DRV 200 STANDARD

DRV 200 pressure regulators, standard type

HANSA FLEX

Vlastnosti

Tlak na vstupu	Max. 25 bar (Series 200 and 300 Series), Max. 40 bar (400 Series)
Teplotní rozsah	Max. 75 °C
Redukční poměr	Max. 10:1 (200 Series), Max. 20:1 (300 Series), Max. 6:1 (400 Series)
Těsnicí materiál	Nitrilkaučuk
Kryt pružiny	Pressed brass up to DN 25, Grey cast iron from DN 32
Pouzdro	Red brass 2.1096.01



Upozornění

Další údaje na dotaz.

Popis

Diaphragm pressure regulators with non-self-relieving design and non-pressure-reduced single-seated valve. Very precise adjustment. Good response characteristic because of only a few moving parts which hence minimal friction. Ideal for compressed air, nitrogen and other neutral, non-flammable gases, but only suitable for liquids with comparatively low flow rates.

Upozornění k objednávkám

Jiné provedení na objednávku

Další informace

Jiné provedení na objednávku

Výrobek

Označení	Závit	Regulační rozsah	Průtok hodnota kvs (m ³ /h)	A (mm)	B	C (mm)	D (mm)
K- 07 25 04 86	G 1/4	1.5 - 8 bar	0,5	70,0	167,0 mm	120,0	47,0
K- 07 25 04 87	G 3/8	1.5 - 8 bar	0,6	70,0	168,0 mm	121,0	47,0
K- 07 25 04 88	G 1/2	1.5 - 8 bar	1,2	85,0	188,5 mm	142,0	46,5
K- 07 25 04 89	G 3/4	1.5 - 8 bar	1,3	85,0	189,5 mm	143,0	46,5
K- 07 25 04 90	G 1	1.5 - 8 bar	1,6	95,0	242,0 mm	186,0	56,0
K- 07 25 04 91	G 1 1/4	1.5 - 8 bar	4,2	104,0	323,0 mm	262,0	61,0
K- 07 25 04 92	G 1 1/2	1.5 - 8 bar	4,5	108,0	323,0 mm	262,0	61,0
K- 07 25 04 93	G 2	1.5 - 8 bar	7,2	146,5	376,0 mm	306,0	70,0

Náhradní díly

K-VERSCHLEI-SATZ Set of wearing parts