

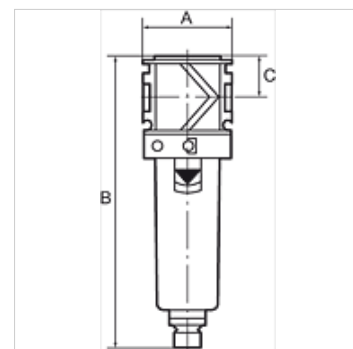
# K-FI PC-BEHÄLTER SCHUTZ VARIOBLOC

Filters with polycarbonate bowl and bowl guard

**HANSA FLEX**

## Vlastnosti

<b>Tlak na vstupu</b>	Max. 16 bar (polycarbonate bowl), Max. 20 bar (metal bowl)
<b>Teplota média</b>	max. 50 °C
<b>Teplota okolí</b>	Max. 50 °C (polycarbonate bowl), Max. 80 °C (metal bowl)
<b>Šířka póru ve filtrační vložce</b>	40 µm
<b>Těsnicí materiál</b>	Nitrilkaučuk
<b>Pouzdro</b>	Die-cast zinc
<b>Drain valve</b>	Manual
<b>Měření hodnoty průtoku</b>	At P1 = 6 bar and pressure drop $\Delta p = 1$ bar



## Upozornění

Další údaje na dotaz.

## Popis

Centrifugal separators with a sintered filter element. Filtration takes place in a 2-stage process comprising cyclone separation (condensate) and a PE filter element (particles). Approved series in modern industrial design, with the following key benefits: Simple handling, Convenient modular assembly thanks to innovative fasteners, Excellent flow values.

## Upozornění k objednávkám

Filters are also available with bowl guard or metal bowl.

## Výrobek

Označení	Závit	Průtok (L/min)	A (mm)	B	C (mm)
K- 07 25 23 06	G 1/4	1800	48,0	155,0 mm	22,0
K- 07 25 23 05	G 3/8	2000	48,0	155,0 mm	22,0
K- 07 25 23 04	G 1/2	3200	70,0	202,0 mm	26,0
K- 07 25 23 03	G 3/4	3500	70,0	202,0 mm	26,0
K- 07 25 23 02	G 1	3500	124,0	202,0 mm	26,0